

SPECIFICATIONS

MANUFACTURED AS PER OPSD 804.030.

ALL DIMENSIONS IN MILLIMETRES.

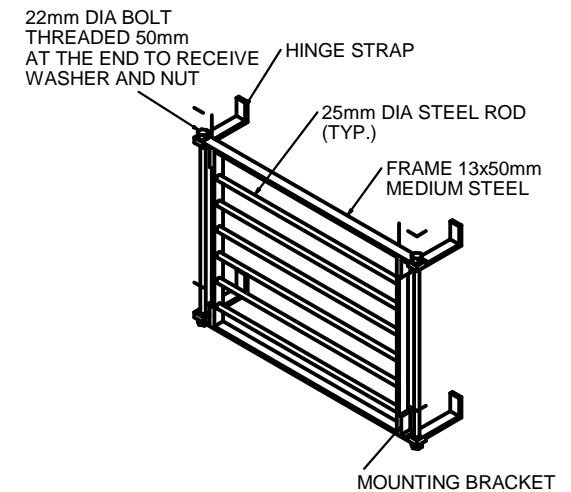
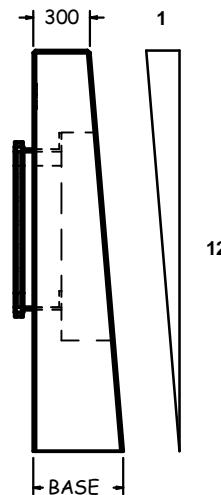
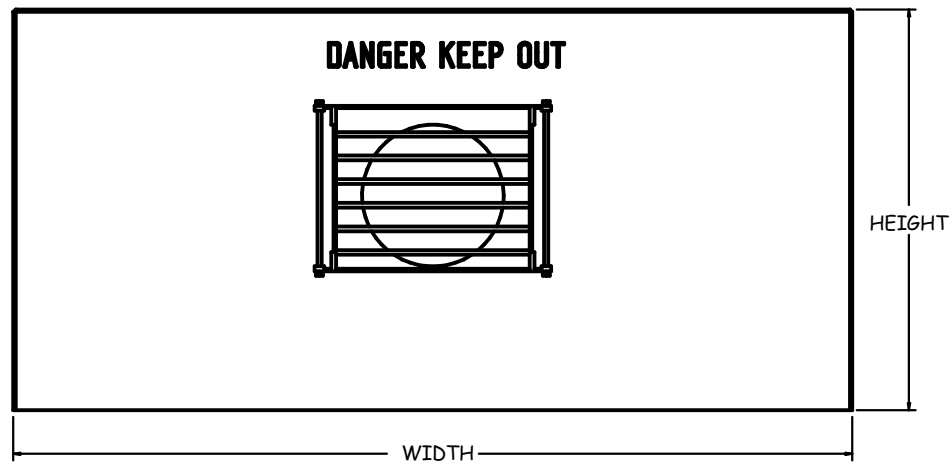
CONCRETE:

45 MPa @ 28 DAYS,
6% AIR ENTRAINMENT IN ACCORDANCE
WITH OPSD 804.03


REINFORCING:

IN ACCORDANCE WITH CSA G30.18.
ALL REINFORCING STEEL HAS 30mm MIN. COVER.

ANCHOR PART No.	A			B			C	
	M00721S	M00686S	M00724S	M01165S	M00902S	M00843S	M01043S	M00749S
PIPE SIZE	300	375	450	525	600	675	750	825
HEIGHT	1675	1675	1675	1940	1940	1940	2120	2120
BASE	440	440	440	462	462	462	477	477
WIDTH	2835	3100	3360	3630	3900	4170	4440	4695
WEIGHT (KG)	4105	4454	4787	6159	6567	6966	8248	8654



HEADWALL FOR SEWER OR CULVERT PIPE (HW1000)

	1645 SYDENHAM RD. KINGSTON, ONT.
	PHONE: (800) 223-0012 1-613-546-6683
www.anchorconcrete.com	