

SPECIFICATIONS

ALL DIMENSIONS IN MILLIMETRES.

CONCRETE:

35 MPa @ 28 DAYS,
5-8% AIR ENTRAINMENT IN ACCORDANCE WITH CSA A23.4.09.

REINFORCING:

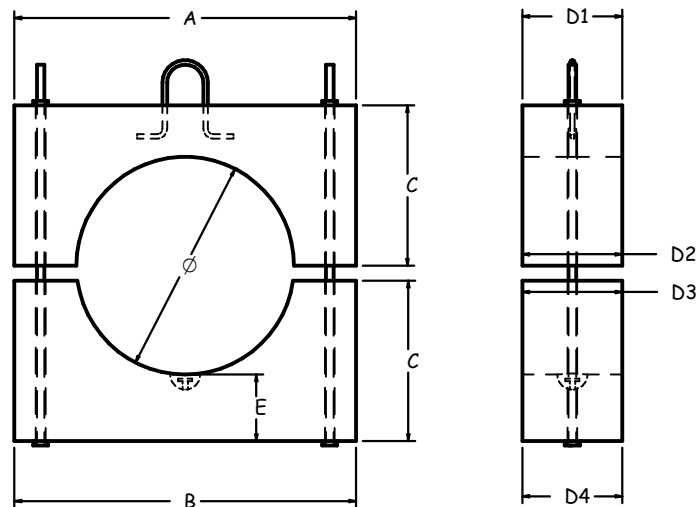
IN ACCORDANCE WITH CSA G30.12 WITH 50mm MIN. COVER.
REINFORCING DETAILS AVAILABLE UPON REQUEST.

WEIGHT:

VARIES

NOTES:

OTHER SIZES MAY BE AVAILABLE UPON REQUEST.



AVAILABLE SIZES	DIMENSIONS									NOTES
	A	B	C	D1	D2	D3	D4	E	Ø	
1	610	610	220	140	140	140	140	100	240	
2	610	610	220	405	405	405	405	100	240	
3	610	610	220	260	260	260	260	100	240	
4	620	620	285	160	160	160	160	125	320	
5	1130	1130	530	340	340	340	340	170	720	
6	1620	1620	1000	300	300	300	300	420	1160	
7	1600	1600	750	400	400	400	400	150	1200	TOP ONLY
8	1600	1600	850	400	400	400	400	250	1200	BOTTOM ONLY
9	2170	2170	1110	500	500	500	500	460	1300	
10	2170	2170	1110	500	500	500	500	450	320	TOP ONLY
11	2170	2170	1400	500	500	500	500	740	1320	BOTTOM ONLY
12	960	1566	425	290	210	340	420	135	1320	TAPERED

PIPE WEIGHTS



1645 SYDENHAM RD.
KINGSTON, ONT.

PHONE:
(800) 223-0012
1-613-546-6683

www.anchorconcrete.com