

SPECIFICATIONS

ALL DIMENSIONS IN MILLIMETRES.

CONCRETE:

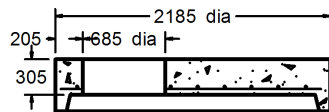
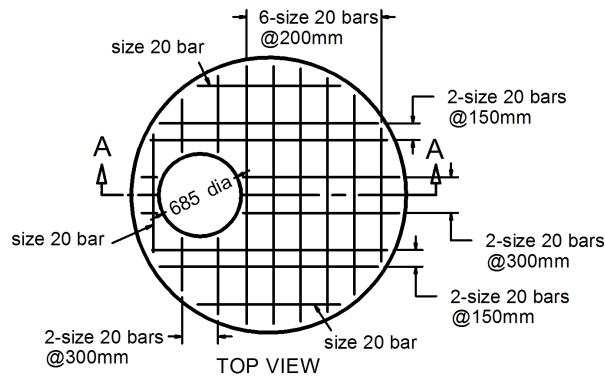
35 MPa @ 28 DAYS,
5-8% AIR ENTRAINMENT IN ACCORDANCE
WITH CSA A23.1 MOD-M90

REINFORCING:

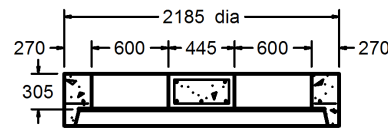
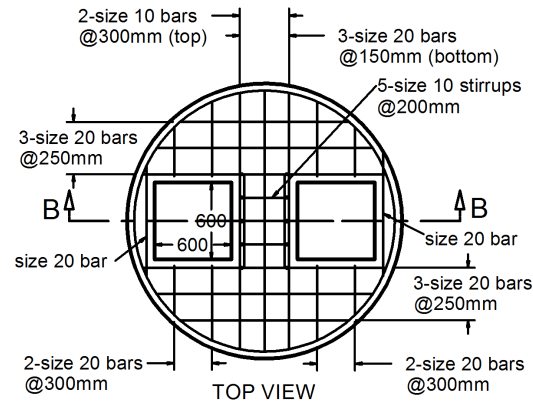
GRADE 400W TO CSA G30.18.
WELDED WIRE FABRIC TO CSA G30.5.
ALL REINFORCING STEEL HAS 30mm MIN. COVER.

NOTES:

MANUFACTURED IN ACCORDANCE WITH
OPSD 703.012 AND 703.022.
MANUFACTURED IN ACCORDANCE WITH OPSS 1351.
DESIGNED TO OHBD CODE.
REINFORCING DETAILS AVAILABLE UPON REQUEST.



SECTION A-A
FLAT CAP



SECTION B-B
TWIN INLET FLAT CAP

1800mm DIA SINGLE AND TWIN INLET FLAT CAP (MH1800)



1645 SYDENHAM RD.
KINGSTON, ONT.

PHONE:
(800) 223-0012
1-613-546-6683

www.anchorconcrete.com