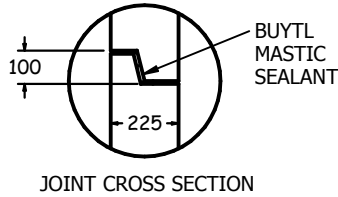
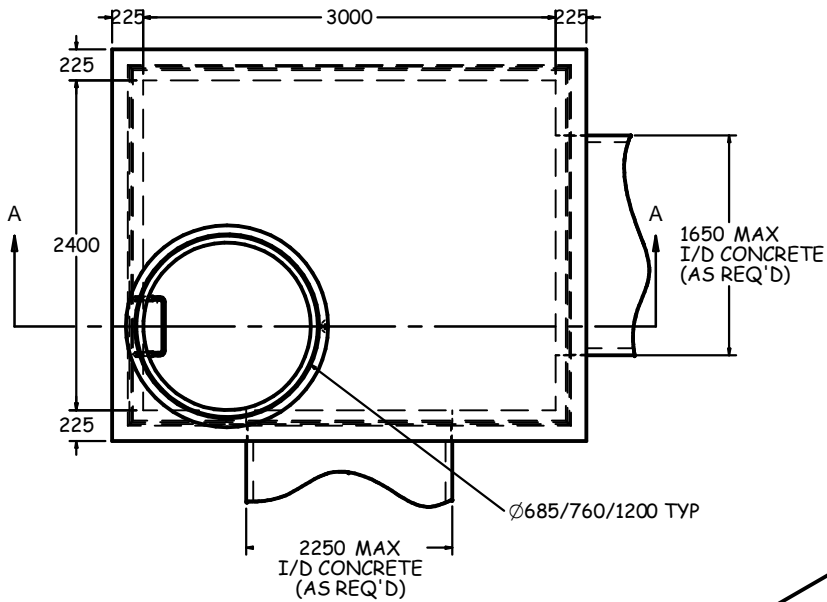


TOP VIEW



**SPECIFICATIONS**

ALL DIMENSIONS IN MILLIMETRES.

**CONCRETE:**

45 MPa @ 28 DAYS,  
5-8% AIR ENTRAINMENT IN ACCORDANCE  
WITH CSA A23.1 MOD-M90.

**REINFORCING:**

IN ACCORDANCE WITH CSA G30.18 & OPSS 1440.  
ALL REINFORCING STEEL HAS 30mm MIN. COVER.

**WEIGHT:**

WALLS	-6318 KG/V.M.
MONO BASE/TOP	-5184 KG
TOP SLAB	-7080 KG

**NOTES:**

PRODUCT MANUFACTURED TO OBC & C.H.B.D.C.  
LOADINGS AS APPLICABLE.

MANUFACTURED IN ACCORDANCE WITH OPSS 1351.

REINFORCING DETAILS AVAILABLE UPON REQUEST.

ALL PIECES INCLUDE SWIFT LIFT LIFTING ANCHORS.

ALL MAINTENANCE HOLES INCLUDE  
HOLLOW ALUMINUM LADDER RUNGS  
AS PER OPSD 405.010.

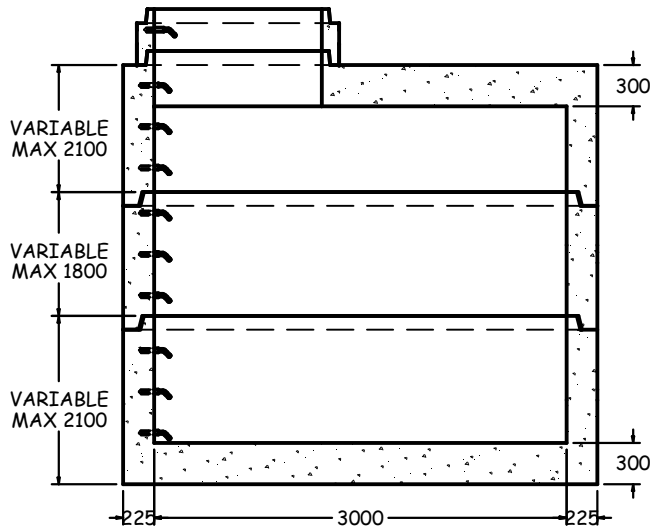
SUMP AVAILABLE UPON REQUEST.

VARIABLE OPENINGS IN TOP SLAB  
AVAILABLE UPON REQUEST.

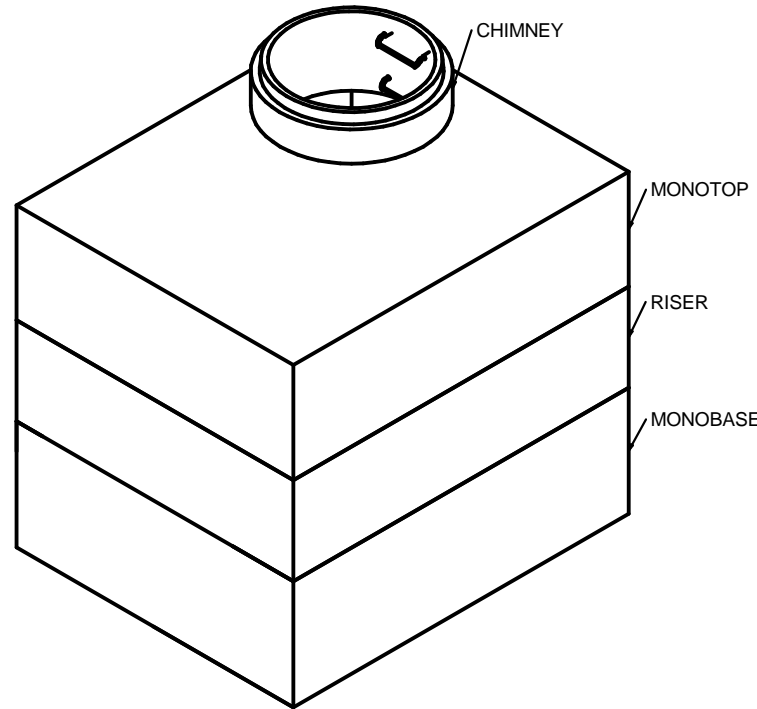
MAX. BURIAL DEPTH: 900mm.  
DEEP BURIAL DEPTHS AVAILABLE UPON REQUEST.

REFER TO DRAWING MH-3 FOR MAX. PIPE SIZES.  
PIPE GASKETS AVAILABLE UPON REQUEST.

REFER TO INSTALLATION GUIDELINES  
FOR BOX MANHOLES AND CHAMBERS.



SECTION A-A



ISOMETRIC VIEW  
1:55

**2400x3000 BOX MANHOLE (BM2400)**

	1645 SYDENHAM RD. KINGSTON, ONT.
	PHONE: (800) 223-0012 1-613-546-6683
www.anchorconcrete.com	