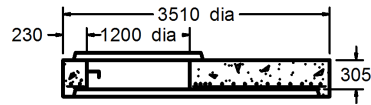


TOP VIEW



SECTION A-A  
TRANSITION SLAB

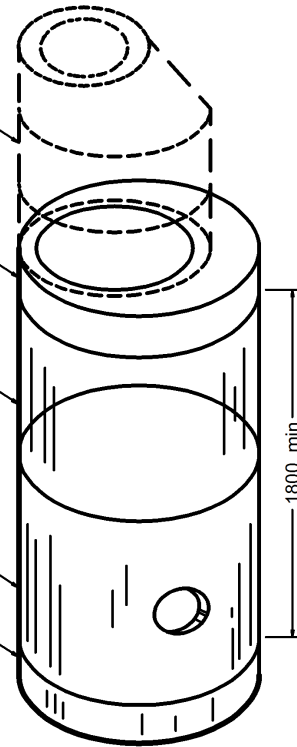
1200mm dia  
(as per  
OPSD  
701.03)

Transition  
slab

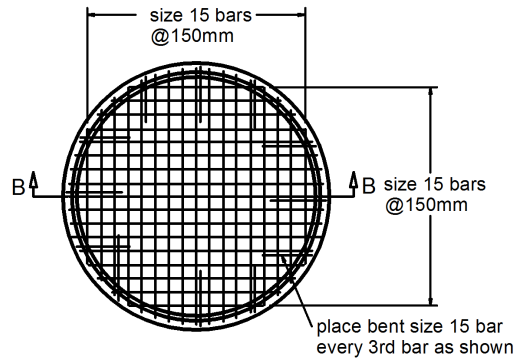
Riser section

Riser section

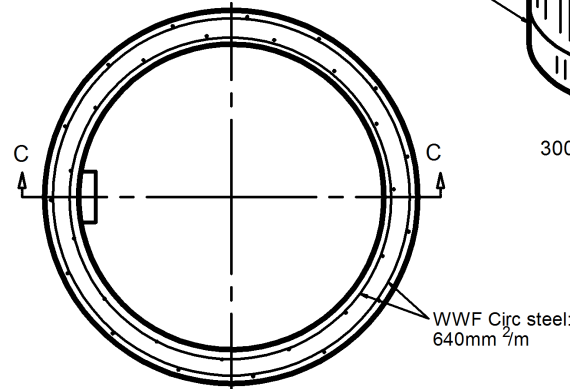
Base slab



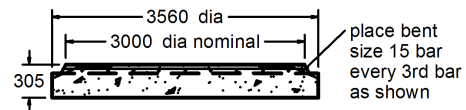
3000 to 12000mm Dia



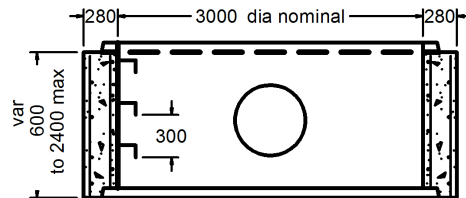
TOP VIEW



TOP VIEW



SECTION B-B  
BASE SLAB



SECTION C-C  
RISER SECTION

**SPECIFICATIONS**

ALL DIMENSIONS IN MILLIMETRES.

**CONCRETE:**

35 MPa @ 28 DAYS,  
5-8% AIR ENTRAINMENT IN ACCORDANCE  
WITH CSA A23.1 MOD-M90

**REINFORCING:**

IN ACCORDANCE WITH CSA G30.18 & OPSS 1440.  
WELDED WIRE FABRIC TO CSA G30.5.  
ALL REINFORCING STEEL HAS 30mm MIN. COVER.

**NOTES:**

MANUFACTURED IN ACCORDANCE WITH  
OPSD 701.014, 701.070 AND 701.071.  
MANUFACTURED IN ACCORDANCE WITH OPSS 1351.  
DESIGNED TO OHBD CODE.  
REINFORCING DETAILS AVAILABLE UPON REQUEST.

**3000mm DIA CONCRETE MANHOLE (MH3000)**



1645 SYDENHAM RD.  
KINGSTON, ONT.

PHONE:  
(800) 223-0012  
1-613-546-6683

www.anchorconcrete.com