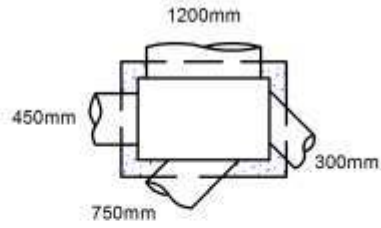
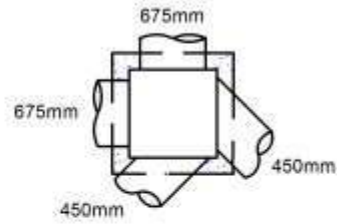


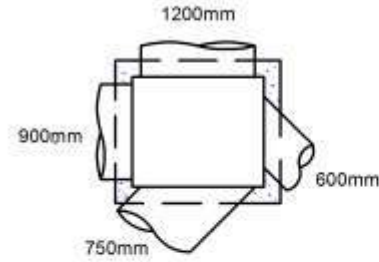
900x900



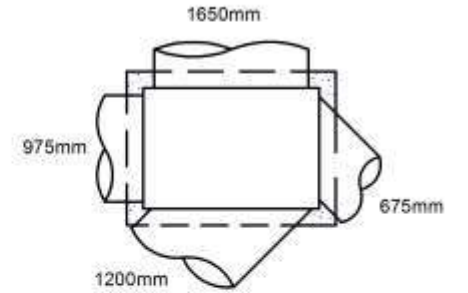
900x1800



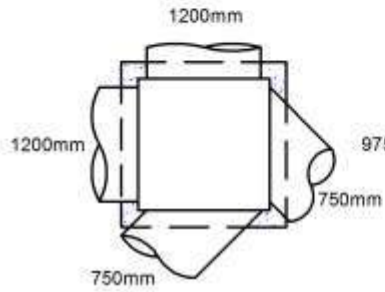
1200x1200



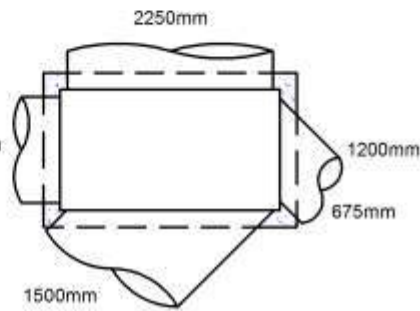
1500x1800



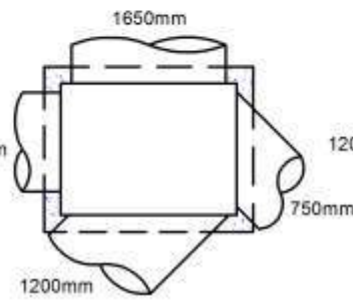
1650x2400



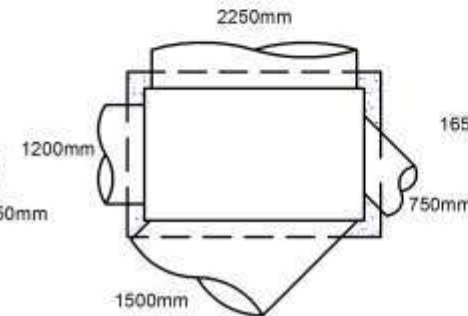
1800x1800



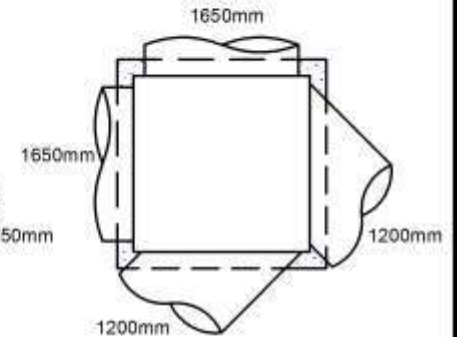
1650x3000



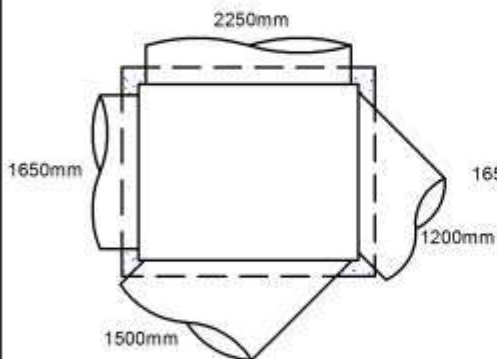
1800x2400



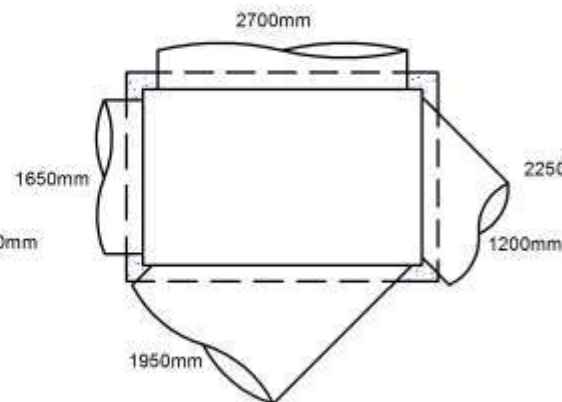
1800x3000



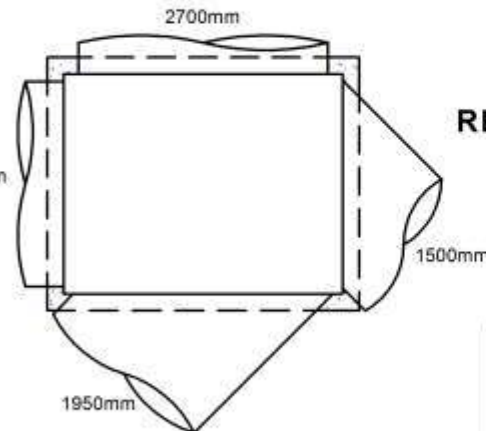
2400x2400



2400x3000



2400x3800



3000x3800

**MAXIMUM
CONCRETE PIPE SIZES
FOR
RECTANGULAR MANHOLES**

SCALE 1:100



1645 SYDENHAM RD.
KINGSTON, ONT.

PHONE:
(800) 223-0012
1-613-546-6683

www.anchorconcrete.com