



PIPE INSTALLATION INSTRUCTIONS Flexible Pipe-to-Manhole Connectors

I. BOOT INSTALLATION:

1. Install boot in manhole per PSGC instructions, paying special attention to square alignment of boot in manhole opening.

II. PIPE INSTALLATION:

1. Clean pipe section thoroughly for at least three feet from insertion end. Check and clean boot to ensure no dirt or foreign materials are present.

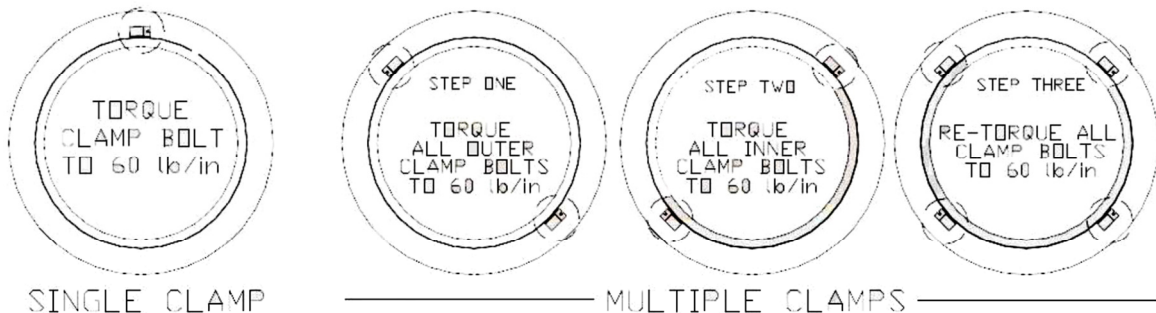
2. Center pipe in opening and insert until pipe breaks the inside plane of manhole. Recheck pipe and boot to make sure that they remain clean.

3. Attach take-up clamp(s) and stagger screw(s) of clamps around the groove of connector so that take-up pressure will be equalized. *If the clamps are compound* (two or more joined in series), it is easiest to tighten the screws if the clamps are placed with the lower screw facing up, as shown below. Make sure that each clamp is completely in the correct groove.

4. **Single Clamp** - Using a torque ratchet or torque wrench, gradually tighten screw(s) of clamp in an alternating pattern to 60 in/lbs torque.

5. **Double Clamp** - Using a torque ratchet or torque wrench, gradually tighten both screws of *outside* clamp in an alternating pattern to 60 in/lbs torque. Then tighten both screws on *inside* clamp.

DO NOT OVERTIGHTEN. A SCREWDRIVER WILL NOT TIGHTEN CLAMPS ADEQUATELY.



6. After reaching 60 in/lbs torque on final screw, check all screws again to ensure equal compression of both clamps.

7. If system is to be tested, testing should be completed prior to backfilling, following all recommendations and requirements of the test system manufacturer.

8. Adjust pipe to line and grade. Use proper bedding and backfill materials and techniques so that pipe deflection and deformation is minimized.

9. Any pipe stubs installed in the manhole must be positively restrained from movement.