

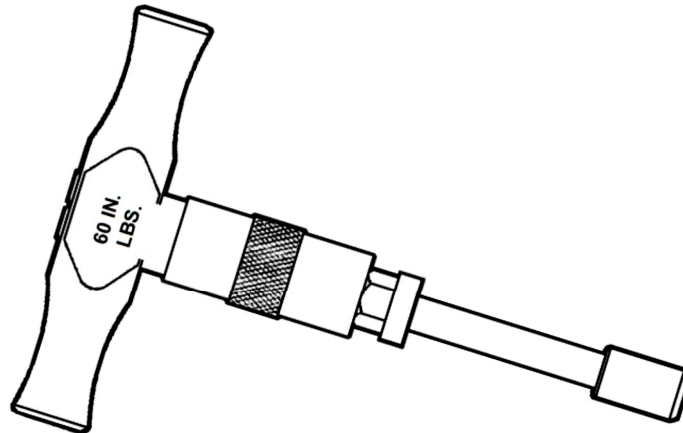


T-Handle Torque Wrench Calibrated Clamp Installation Tool

What It Is:

The T-Handle Torque Wrench is a calibrated tool which is used to properly install take-up clamps on a variety of Press-Seal Gasket connectors, including:

- PSX:Direct Drive
- PSX:Positive Seal
- Press-Boot
- CAST-A-SEAL
- WS-30 Waterstop



How It Works:

The T-Handle Torque Wrench is designed and manufactured specifically to tighten Stainless Steel take-up clamps. It is set to 60 in/lbs torque which ensures that clamps are tightened fully and evenly.

The T-Handle Torque Wrench is placed on the screw of the clamp and turned until the proper torque is reached. The wrench shows this by “cracking” and releasing torque.

The T-Handle Torque Wrench is ruggedly constructed for durability in real installation conditions. It ratchets in the tightening (clockwise) direction and it has a sliding lock collar that allows easy removal of an installed clamp.

How It Works:

The Stainless Steel take-up clamps used in Press-Seal Gasket connectors are used to complete the sealing system. They must be installed to the proper tightness but should not be over-installed or damage may result.

It is impossible to “guess” the tightness of a clamp. Only a calibrated tool can ensure that the clamp is properly installed.