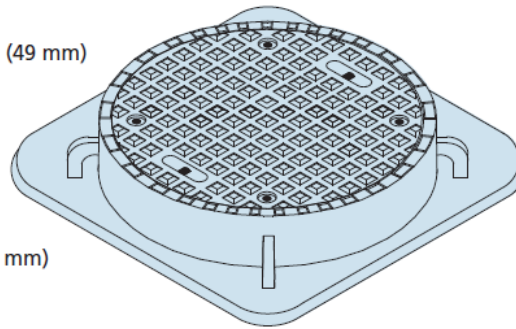
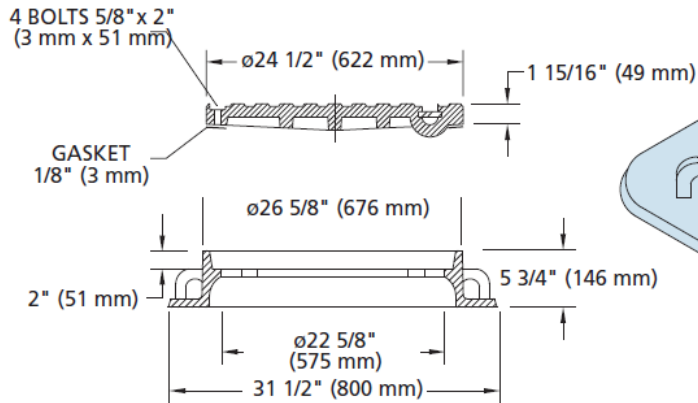


DIMENSIONS (in.)				
A	B	C	E	X
24 1/2	31 1/2	22 5/8	4-5 3/4	1 15/16



**Manhole Frame & Cover Closed & Open**  
**OPSD 401.010 A & B**

Anchor Part No.: P00157 & P00158



**Manhole Frame & Cover Watertight**  
**OPSD 401.030**

Anchor Part No.: P00159



1645 SYDENHAM RD.  
 KINGSTON, ONT.

PHONE:  
 (800) 223-0012  
 1-613-546-6683

[www.anchorconcrete.com](http://www.anchorconcrete.com)