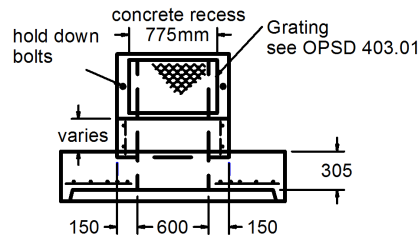
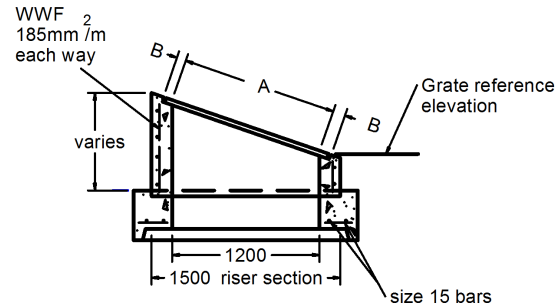


TOP VIEW

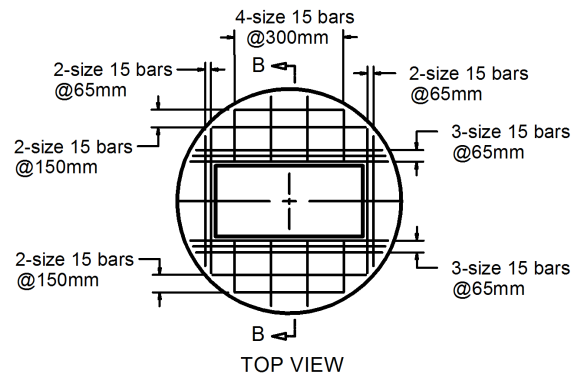


FRONT VIEW

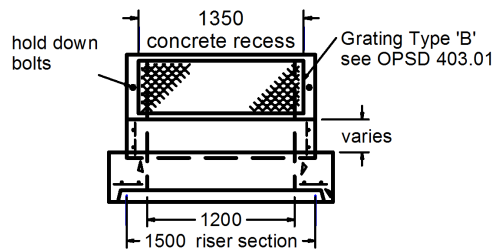
TYPE A
(OPSD 706.010)



SECTION A-A

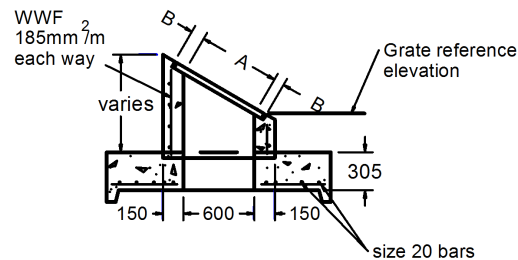


TOP VIEW

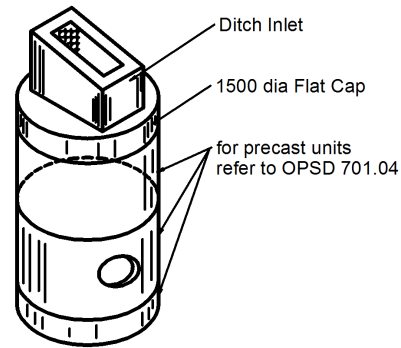


FRONT VIEW

TYPE B
(OPSD 706.010)



SECTION B-B



TYPE	SLOPE OF GRATING	DIMENSIONS	
		A	B
TYPE C	2:1	1365	55
	3:1	1285	95
	4:1	1260	110
TYPE B	6:1	1240	55
	8:1	1230	60
	10:1	1225	60
	HOR	1220	65

600mmx1200mm DITCH INLET WITH 1500mm DIA. FLAT CAP

NOTES:

ALL DIMENSIONS IN MILLIMETRES.

MANUFACTURED IN ACCORDANCE WITH OPSD 706.010.

IN ACCORDANCE WITH CSA G30.18 & OPSS 1440.
ALL REINFORCING STEEL HAS 30mm MIN. COVER.

WHERE INLET IS PLACED ACROSS DITCH AND IS ACCESSIBLE TO VEHICULAR TRAFFIC, GRATING SLOPE IS TO BE 6:1 OR FLATTER (GRATING TYPE B).

TYPE	SLOPE OF GRATING	DIMENSIONS	
		A	B
TYPE B	2:1	675	50
	3:1	645	65
	4:1	625	75



1645 SYDENHAM RD.
KINGSTON, ONT.

PHONE:
(800) 223-0012
1-613-546-6683

www.anchorconcrete.com