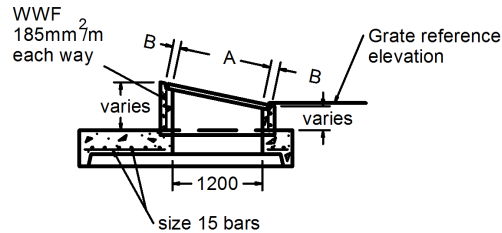
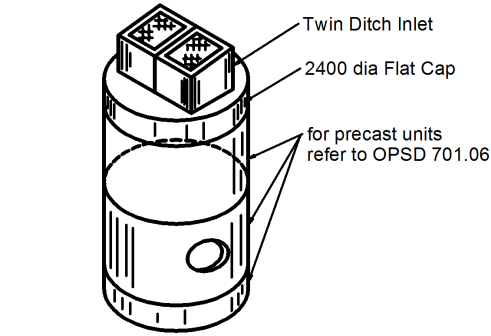


FRONT VIEW

TYPE B
(OPSD 706.031)



SECTION A-A

SLOPE OF GRATING	DIMENSIONS	
	A	B
2:1	1365	55
3:1	1285	95
4:1	1260	110
6:1	1240	55
8:1	1230	60
10:1	1225	60
HOR	1220	65

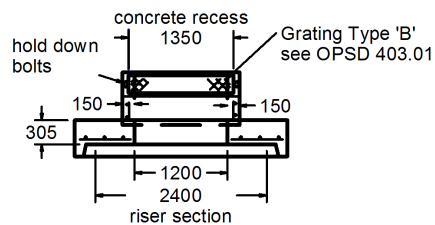
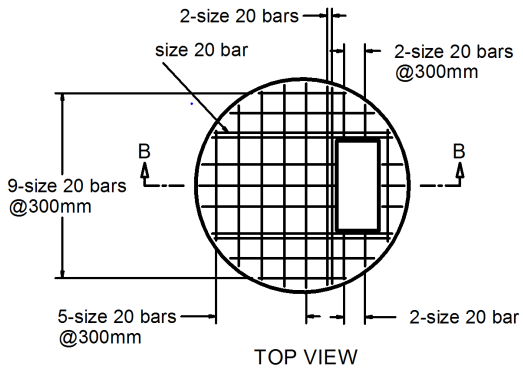
600mmx1200mm DITCH INLET WITH 2400mm DIA. FLAT CAP

NOTES:

ALL DIMENSIONS IN MILLIMETRES.

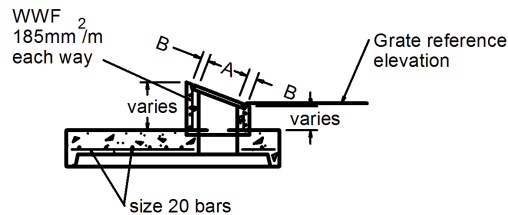
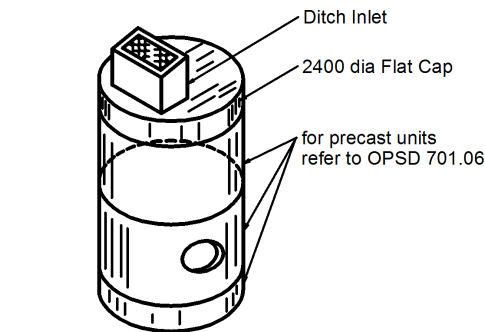
IN ACCORDANCE WITH CSA G30.18 & OPSS 1440.
ALL REINFORCING STEEL HAS 30mm MIN. COVER.

WHERE INLET IS PLACED ACROSS DITCH AND IS ACCESSIBLE TO VEHICULAR TRAFFIC,
GRATING SLOPE IS TO BE 6:1 OR FLATTER.



FRONT VIEW

TYPE A
(OPSD 706.030)



SECTION B-B

SLOPE OF GRATING	DIMENSIONS	
	A	B
2:1	675	50
3:1	645	65
4:1	625	75



1645 SYDENHAM RD.
KINGSTON, ONT.

PHONE:
(800) 223-0012
1-613-546-6683

www.anchorconcrete.com