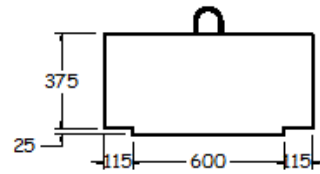
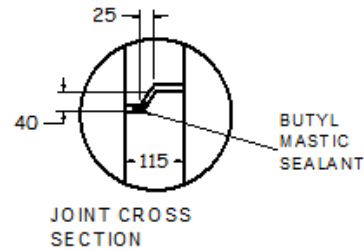
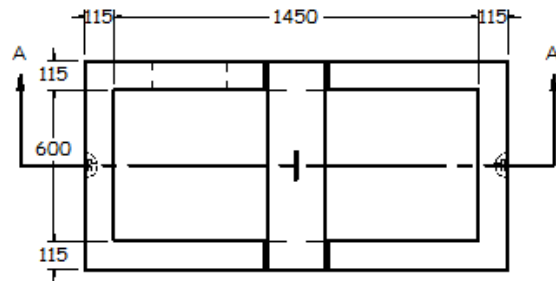
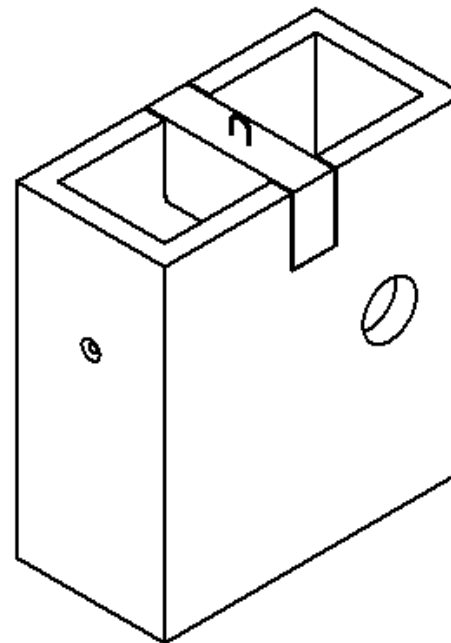
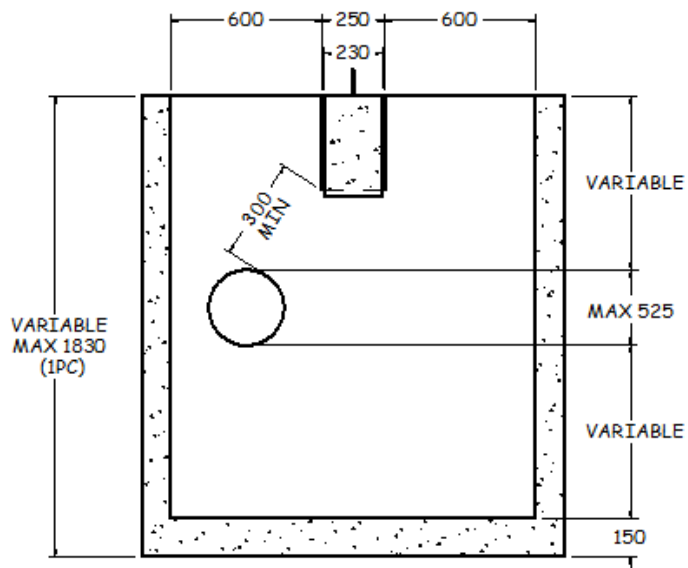


TOP VIEW
1:30



BEAM DETAIL



ISOMETRIC VIEW
1:30

600x1450 TWIN INLET CATCH BASIN (CB1450)

SPECIFICATIONS

ALL DIMENSIONS IN MILLIMETRES.

CONCRETE:

35 MPa @ 28 DAYS,
6% AIR ENTRAINMENT IN ACCORDANCE
WITH CSA A23.1 MOD-M90

REINFORCING:

IN ACCORDANCE WITH OPSS 1440.
ALL REINFORCING STEEL HAS 30mm MIN. COVER

WEIGHT:

WALLS -1259 KG/V.M.
BASE -313 KG

NOTES:

- PRODUCT MANUFACTURED TO O.P.S.D. 705.02.
- MANUFACTURED IN ACCORDANCE WITH OPSS 1351.
- REINFORCING IN ACCORDANCE WITH OPSS 705.020.
- ALL PIECES INCLUDE SWIFT LIFT LIFTING ANCHORS.
- OPTIONS AVAILABLE UPON REQUEST INCLUDE:
PIPE GASKETS
CAST-IN SUB-DRAIN COUPLERS
DRILLED WEEP HOLES.



1645 SYDENHAM RD.
KINGSTON, ONT.

PHONE:
(800) 223-0012
1-613-546-6683

www.anchorconcrete.com