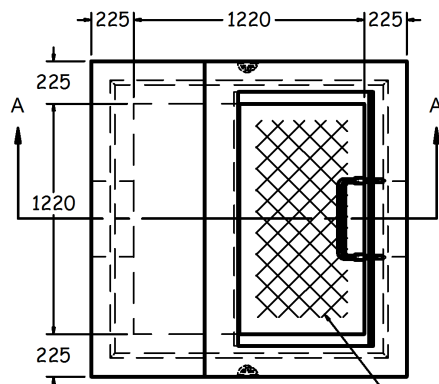
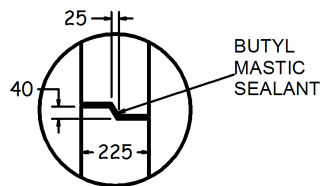


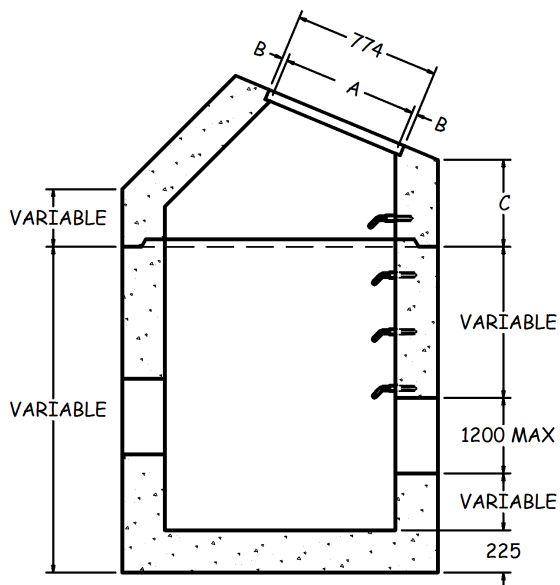
TOP VIEW
1:40



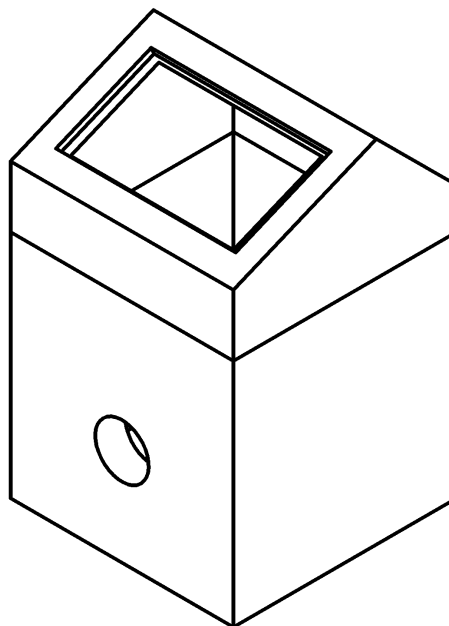
GRATING TYPE B
OPSD 403.01



JOINT CROSS SECTION



SECTION A-A
1:40



ISOMETRIC VIEW
1:40

SPECIFICATIONS

ALL DIMENSIONS IN MILLIMETRES.

CONCRETE:

45 MPa @ 28 DAYS,
6% AIR ENTRAINMENT IN ACCORDANCE
WITH CSA A23.1 MOD-M90

REINFORCING:

IN ACCORDANCE WITH CSA G30.18 & OPSS 1440.
ALL REINFORCING STEEL HAS 30mm MIN. COVER.

WEIGHT:

WALLS	-3121 KG/V.M.
MONOBASE	-804 KG
DI TOP	-2312 KG

NOTES:

- PRODUCT MANUFACTURED TO O.P.S.D. 702.040.
- MANUFACTURED IN ACCORDANCE WITH OPSS 1351.
- REINFORCING DETAILS AVAILABLE UPON REQUEST.
- ALL PIECES INCLUDE SWIFT LIFT LIFTING ANCHORS.
- ALL MAINTENANCE HOLES INCLUDE HOLLOW ALUMINUM LADDER RUNGS AS PER OPSD 405.010. MAX. HOLE SIZE @ 90° IS 1200mm.
- OPTIONS AVAILABLE UPON REQUEST INCLUDE:
 - PIPE GASKETS
 - CAST-IN SUB-DRAIN COUPLERS
 - DRILLED WEEP HOLES.

GRATE		DIMENSIONS		
TYPE	SLOPE	A	B	C
B	2:1	670	52	309
	3:1	632	71	442
	4:1	618	78	508
	6:1	608	83	576
	HOR	608	87	715

1200x1200mm DITCH INLET MANHOLE TYPE A (DI1200)

	1645 SYDENHAM RD. KINGSTON, ONT.
	PHONE: (800) 223-0012 1-613-546-6683
www.anchorconcrete.com	