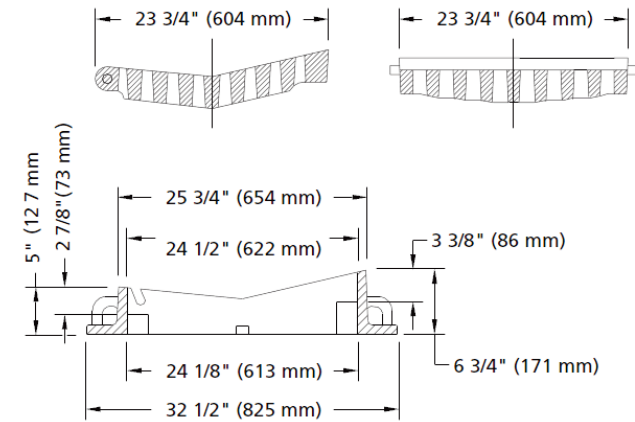
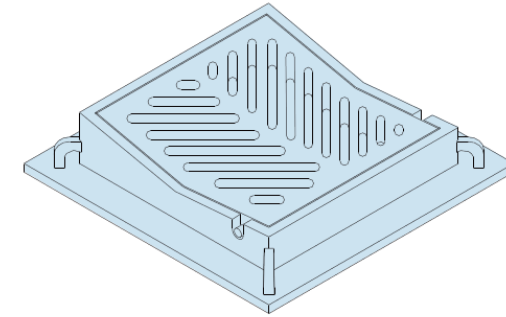
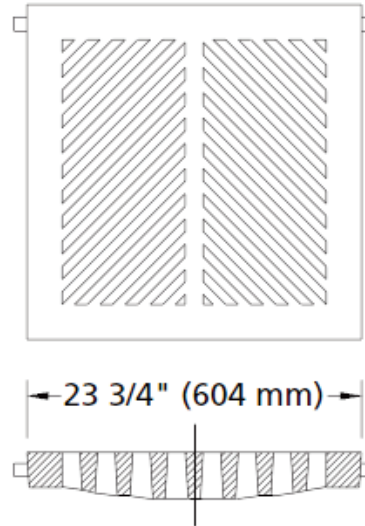
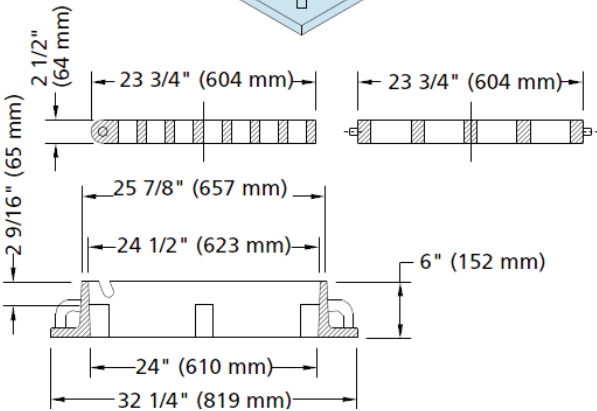
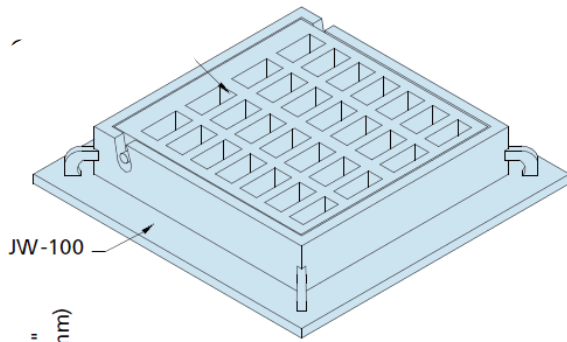


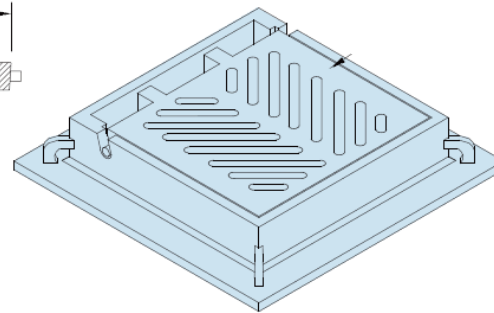
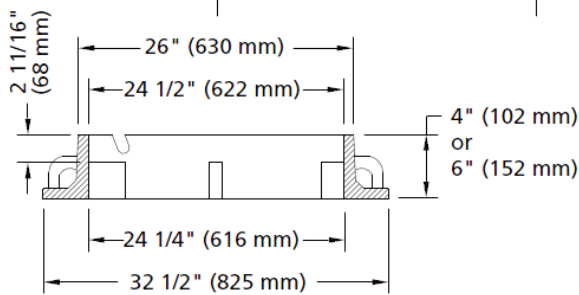
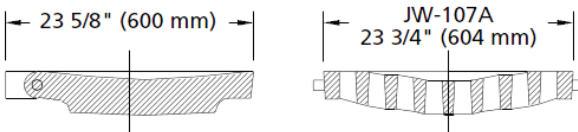
**Catch Basin Frame & Cover**  
**OPSD 400.020**

Anchor Part No.: P00122



**Catch Basin Frame & Cover**  
**OPSD 400.030**

Anchor Part No.: P00124



**Catch Basin Frame & Cover**  
**OPSD 400.010**

Anchor Part No.: P00123



1645 SYDENHAM RD.  
 KINGSTON, ONT.

PHONE:  
 (800) 223-0012  
 1-613-546-6683

[www.anchorconcrete.com](http://www.anchorconcrete.com)