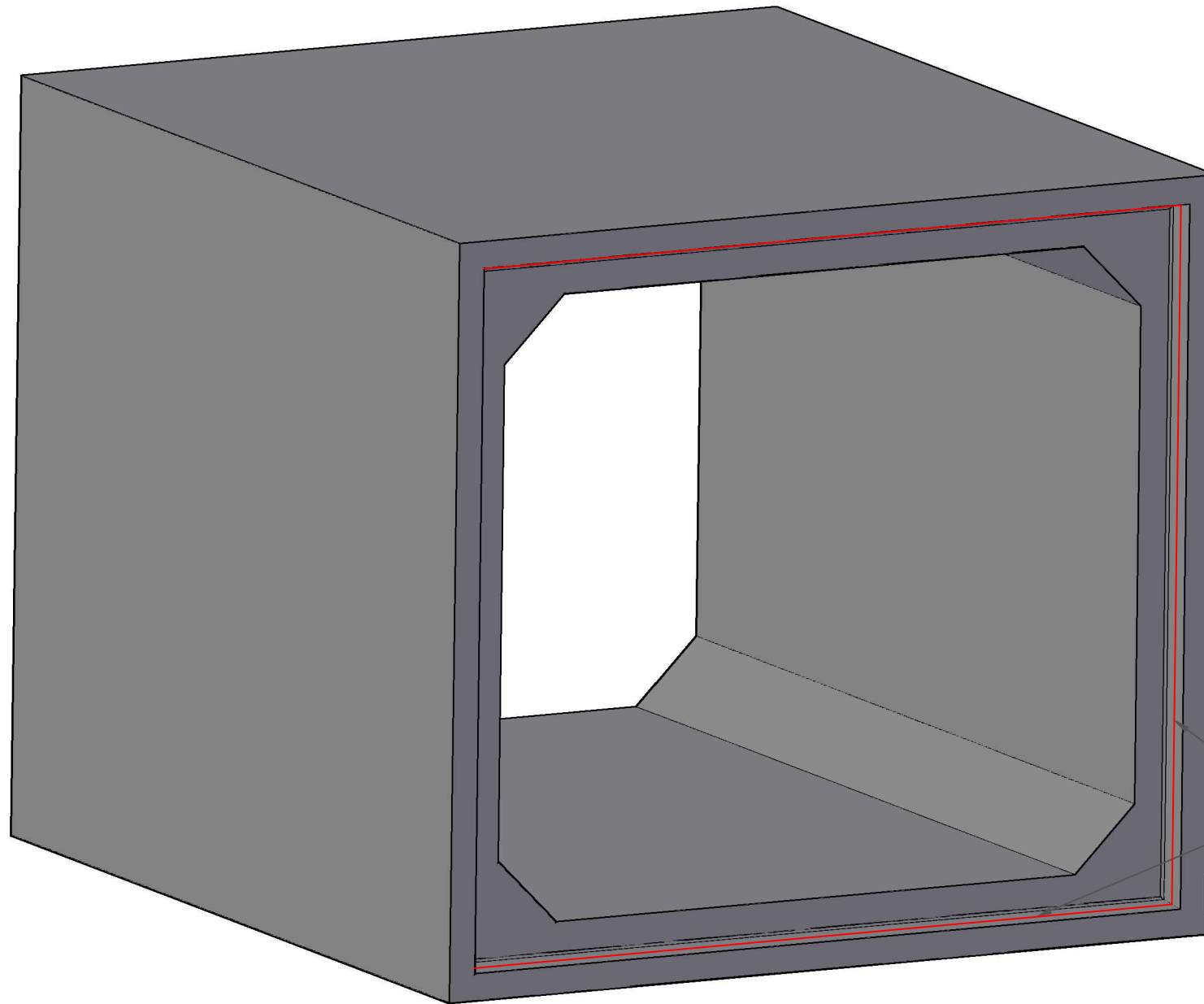


NOTE
WHERE SEALANT IS SPLICED, EXTEND
SEALANT STRIPS SIDE BY SIDE FOR A
MINIMUM OF 250mm AND PRESS SIDES
OF SEALANT TOGETHER



SEALANT IS TO BE CONTINUOUSLY
PLACED AT BASE OF BOTTOM SLAB
GROOVE, UP WALLS & ACROSS THE
BASE OF THE TOP SLAB GROOVE

Butyl Mastic Placement Diagram
Traditional Culvert Installation Procedure



1645 SYDENHAM RD.
KINGSTON, ON
PHONE:
(800)223-0012
1-613-546-6683

www.AnchorConcrete.com