

SPECIFICATIONS

ALL DIMENSIONS IN MILLIMETRES.

CONCRETE:

35 MPa @ 28 DAYS,
6% AIR ENTRAINMENT IN ACCORDANCE
WITH CSA A23.1 MOD-M90

REINFORCING:

IN ACCORDANCE WITH OPSS 1440
ALL REINFORCING STEEL HAS 35mm MIN. COVER

NOTES:

MANUFACTURED IN ACCORDANCE WITH OPSS 1821 AND OPSS 422
(DESIGN EARTH COVER 0.6M TO 5.5M)
OR C.H.B.D.C. (DEEPER THAN 0.6M).

LOW COVER CULVERTS AVAILABLE BY SPECIAL REQUEST.

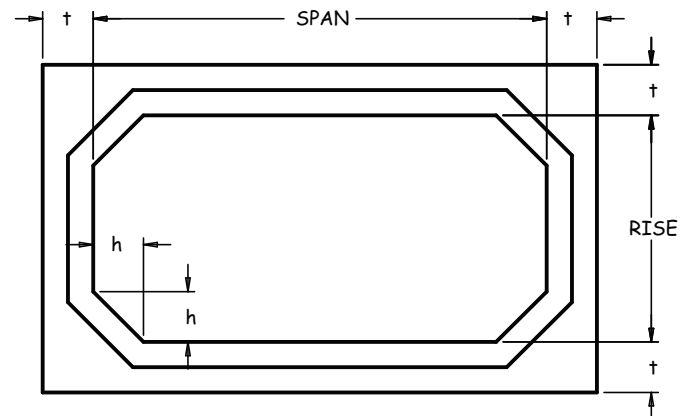
SPECIAL DESIGNS, INCLUDING FOOTINGS
AND WINGWALLS, AVAILABLE BY SPECIAL REQUEST.

STANDARD LENGTH OF 2500mm.
SHORTER LENGTHS AVAILABLE UPON REQUEST.

REINFORCING DETAILS AVAILABLE UPON REQUEST.

ALL PIECES INCLUDE SWIFT LIFT LIFTING ANCHORS AND
PREFORMED BUYTL MASTIC GASKETS.

SIZE (SPAN x RISE)	WALL THICK. "t"	HAUNCH "h"	OUTSIDE WIDTH	OUTSIDE HEIGHT
1800x900	200	200	2200	1300
1800x1200	200	200	2200	1600
2400x1200	200	200	2800	1600
2400x1500	200	200	2800	1900
2400x1800	200	200	2800	2200
3000x1500	250	250	3500	2000
3000x1800	250	250	3500	2300
3000x2100	250	250	3500	2600
3000x2400	250	250	3500	2900



BOX CULVERTS



1645 SYDENHAM RD
KINGSTON, ONT.

PHONE:
(800) 223-0012
1-613-546-6683

www.anchorconcrete.com