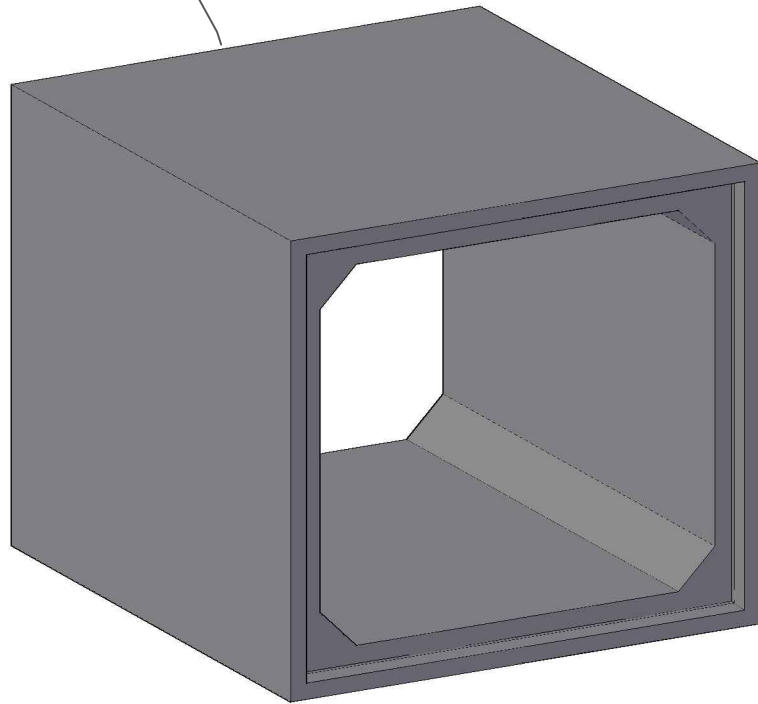
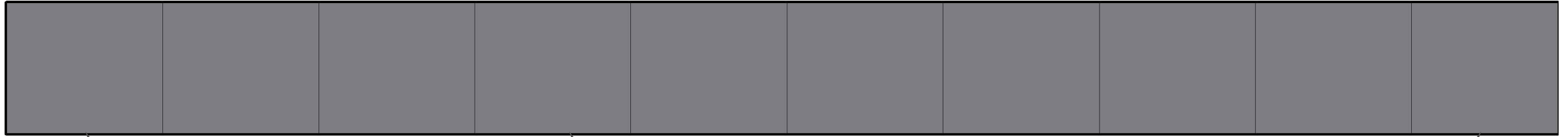
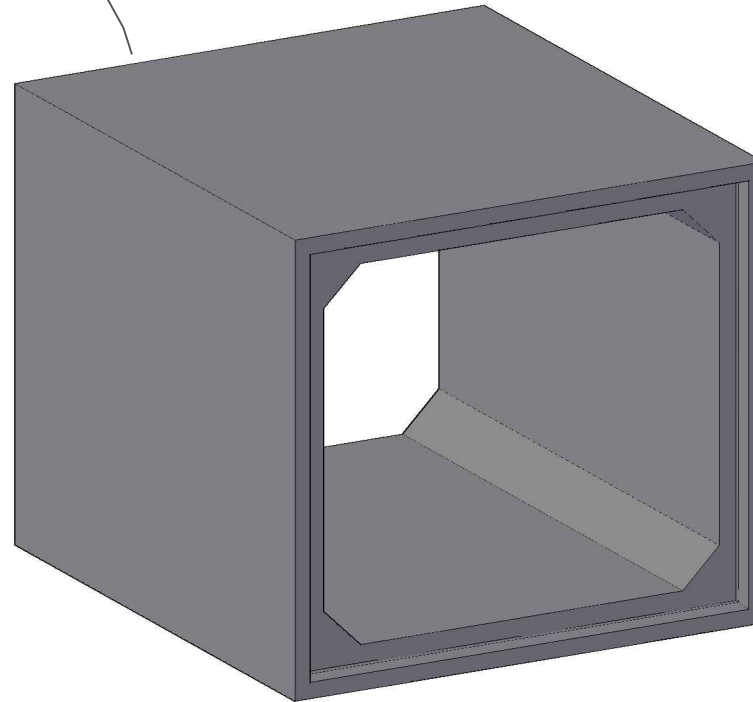


NOTE: PIECE "A" IS TYPICALLY INSTALLED FIRST, THEN "B" PIECES AND FINALLY PIECE "C" END PIECES ARE TYPICALLY THE LAST TO BE INSTALLED

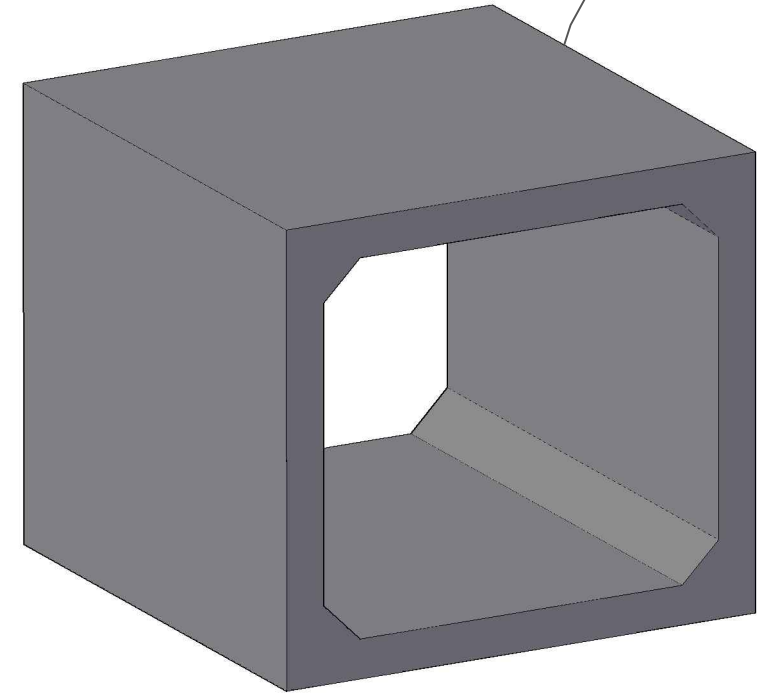
← DOWNSTREAM DIRECTION



TYPICAL PC. "A"
DOWNSTREAM END SECTION
LENGTH DICTATED BY OPSS 1821
(WHEN SPECIFIED IN CONTRACT DOCUMENTS)



TYPICAL PC. "B"
MIDDLE SECTIONS
(LENGTHS VARY)



TYPICAL PC. "C"
UPSTREAM END SECTION
LENGTH DICTATED BY OPSS 1821
(WHEN SPECIFIED IN CONTRACT DOCUMENTS)

Piece Overview & Typical Installation Direction
Box Culvert Installation Procedure



1645 SYDENHAM RD.
KINGSTON, ON
PHONE:
(800)223-0012
1-613-546-6683

www.AnchorConcrete.com