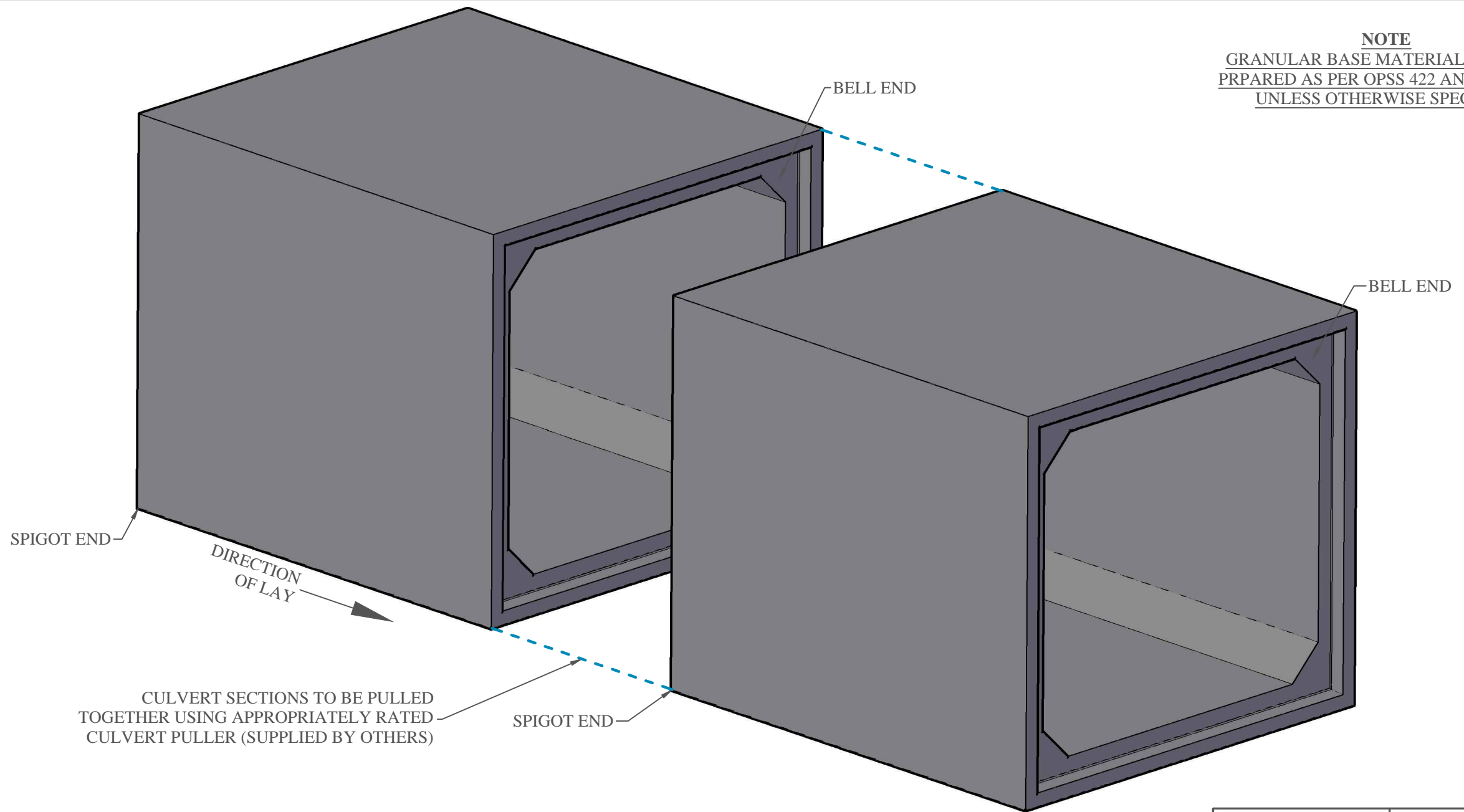


NOTE
GRANULAR BASE MATERIAL MUST BE
PREPARED AS PER OPSS 422 AND OPSS 501
UNLESS OTHERWISE SPECIFIED



Typical Placement Detail
Traditional Culvert Installation Procedure



1645 SYDENHAM RD.
KINGSTON, ON
PHONE:
(800)223-0012
1-613-546-6683

www.AnchorConcrete.com