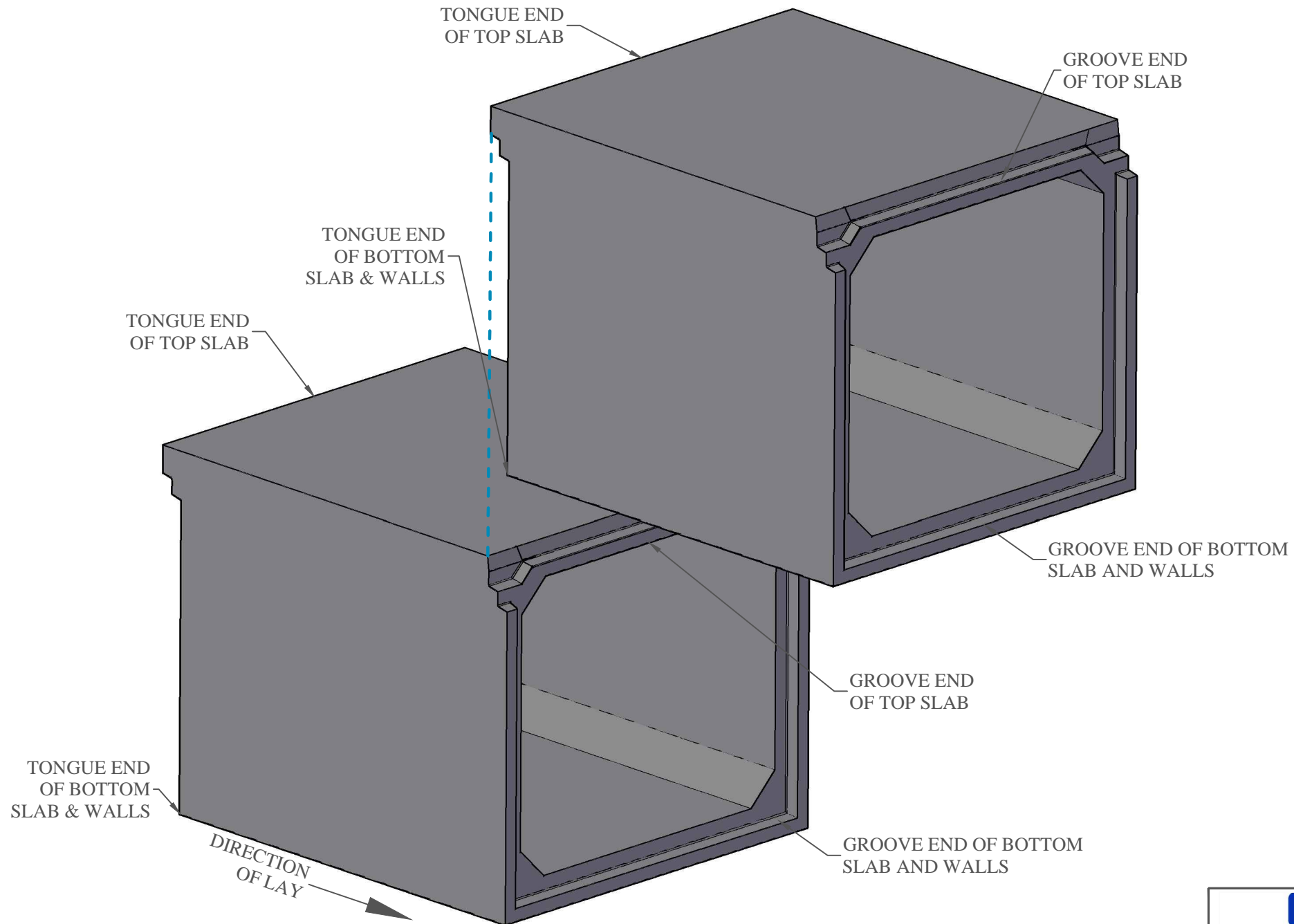


NOTE
GRANULAR BASE MATERIAL
MUST BE PREPARED AS PER
OPSS 422 AND OPSS 501 UNLESS
OTHERWISE SPECIFIED



Typical Placement Detail
VertiSet™ Installation Procedure



Patent Pending (USA & Canada)



1645 SYDENHAM RD.
KINGSTON, ON
PHONE:
(800)223-0012
1-613-546-6683

www.AnchorConcrete.com