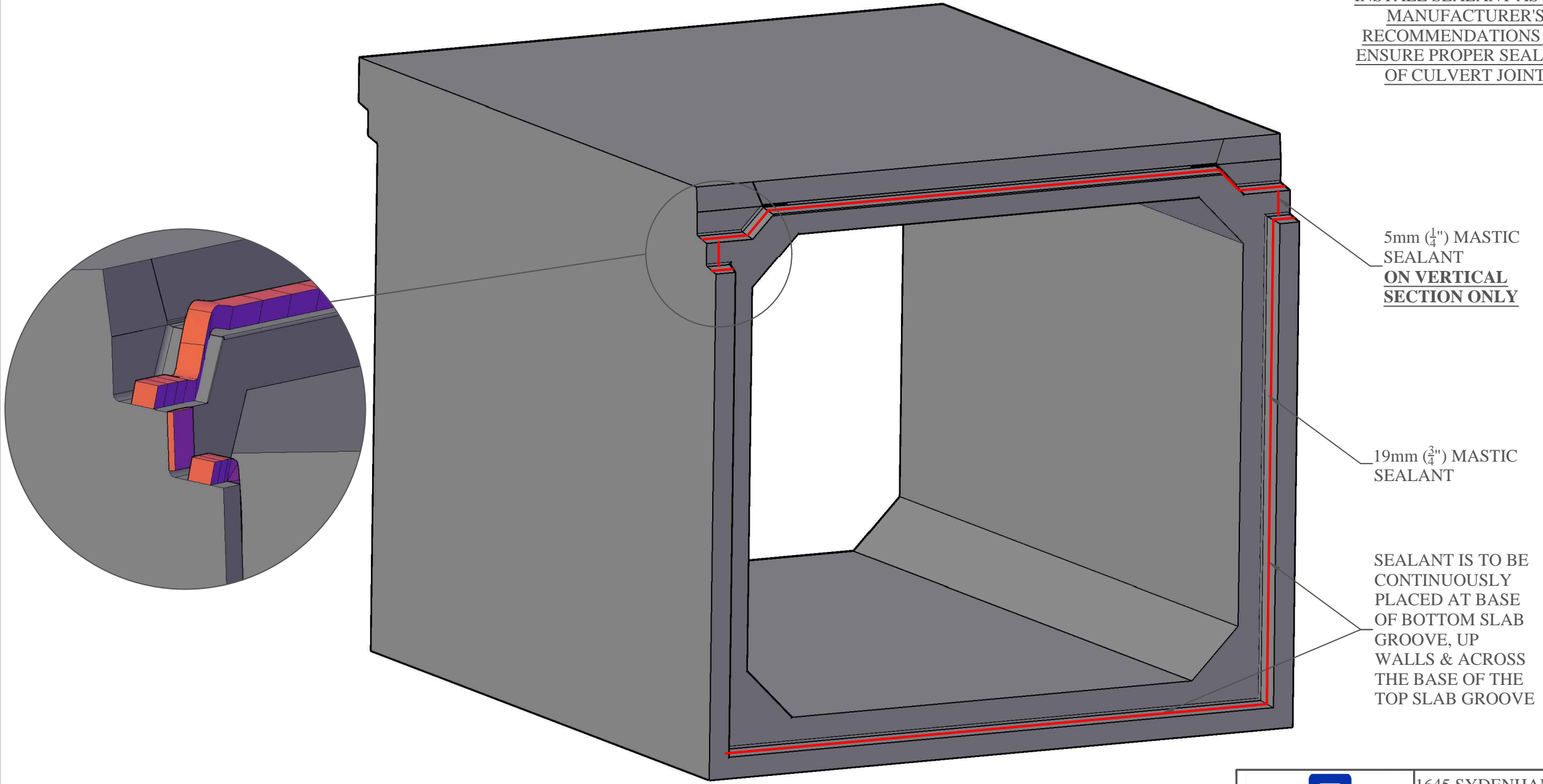


**NOTE**  
INSTALL SEALANT AS PER  
MANUFACTURER'S  
RECOMMENDATIONS TO  
ENSURE PROPER SEALING  
OF CULVERT JOINT



5mm ( $\frac{1}{4}$ " ) MASTIC  
SEALANT  
**ON VERTICAL  
SECTION ONLY**

19mm ( $\frac{3}{4}$ " ) MASTIC  
SEALANT

SEALANT IS TO BE  
CONTINUOUSLY  
PLACED AT BASE  
OF BOTTOM SLAB  
GROOVE, UP  
WALLS & ACROSS  
THE BASE OF THE  
TOP SLAB GROOVE

Butyl Mastic Placement Diagram  
VertiSet™ Installation Procedure



1645 SYDENHAM RD.  
KINGSTON, ON  
PHONE:  
(800)223-0012  
1-613-546-6683

[www.AnchorConcrete.com](http://www.AnchorConcrete.com)

© 2010 Anchor Concrete Products. All rights reserved.  
Patent Pending (USA & Canada)