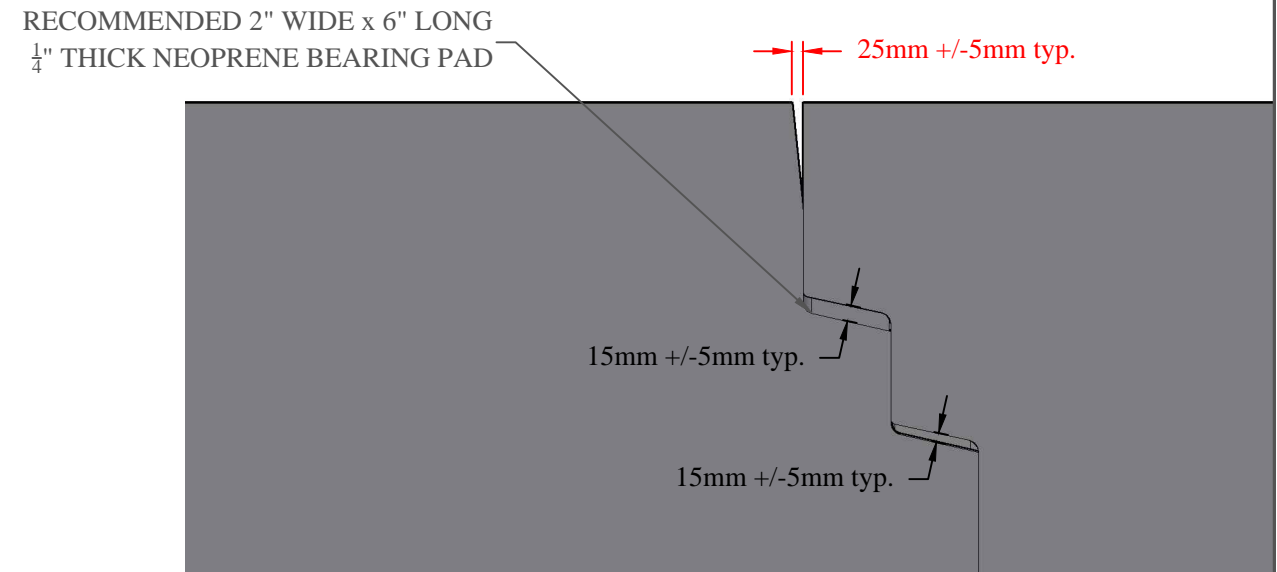


TYPICAL FINISHED INSTALLATION - DETAIL VIEW
 NOTE: 19-25mm GAP IN TOP SLAB IS A RESULT OF THE ANGLED FACE REQUIRED FOR PROPER CANTILEVERING OF PIECES DURING INSTALLATION



NOTE: USE OF THE NEOPRENE PAD DURING INSTALLATION CAN HELP WITH A TIGHTER OVERALL JOINT

© 2015 Anchor Concrete Products
www.anchorconcrete.com

Patent Pending (USA & Canada)

Cantilever & Installation Details
 VertiSet™ Installation Procedure



1645 SYDENHAM RD.
 KINGSTON, ON
 PHONE:
 (800)223-0012
 1-613-546-6683

www.AnchorConcrete.com