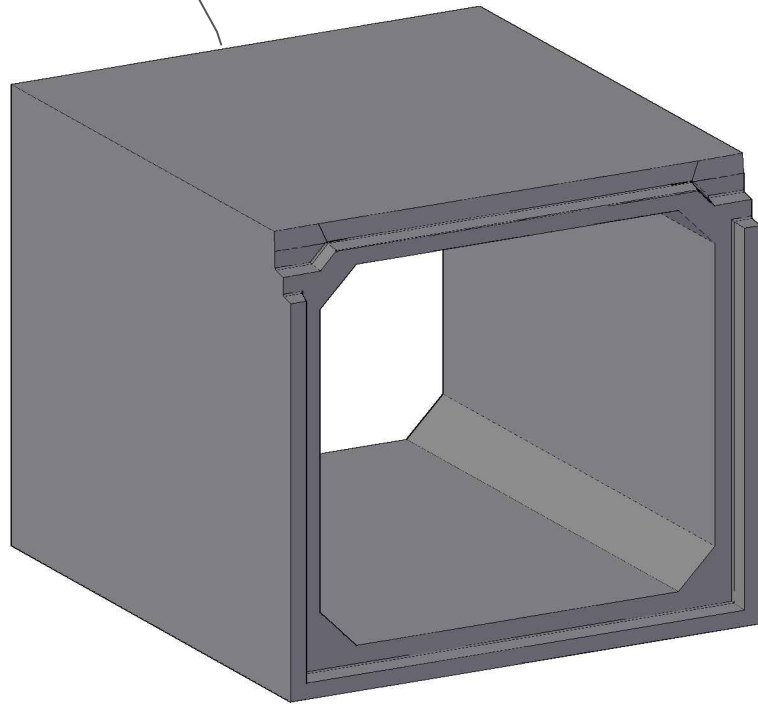
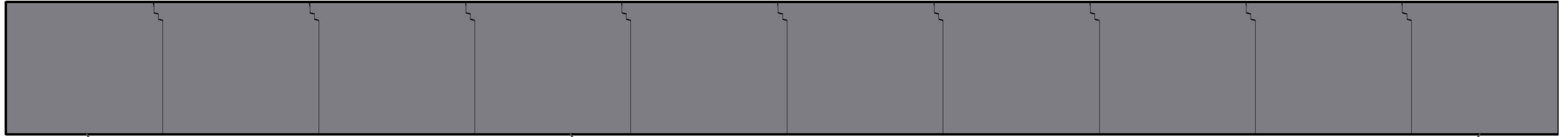
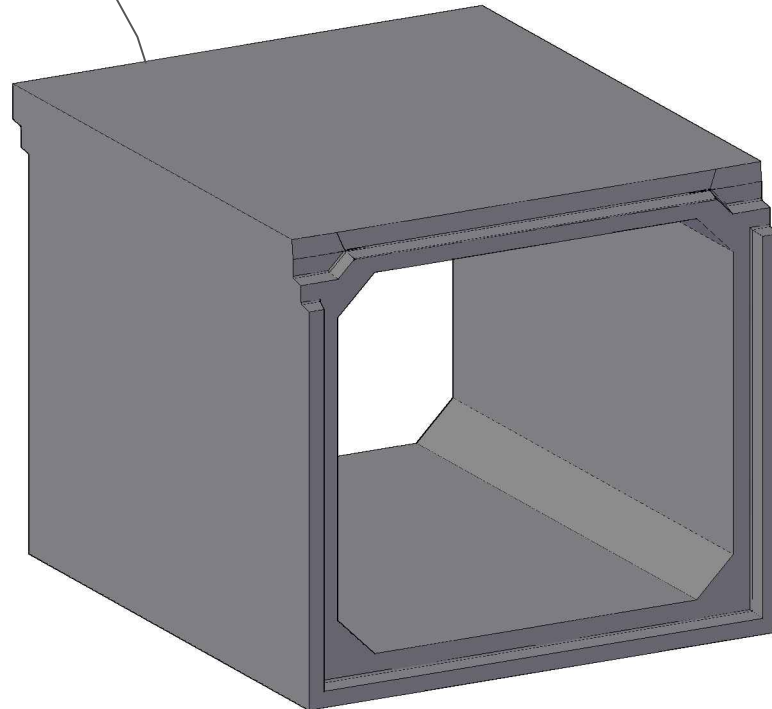


NOTE: PIECE "A" WILL NEED TO BE INSTALLED FIRST IN ORDER TO CANTILEVER PIECE "B" INTO PLACE PROPERLY. PIECE "C" END PIECES ARE THE LAST TO BE INSTALLED

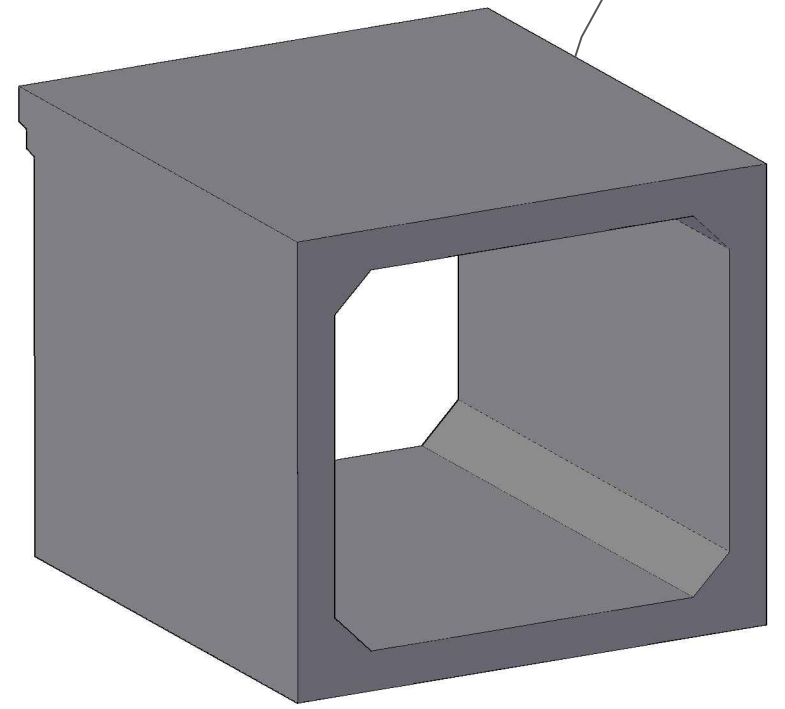
← DOWNSTREAM DIRECTION



TYPICAL PC. "A"
DOWNSTREAM END SECTION
LENGTH DICTATED BY OPSS 1821
(WHEN SPECIFIED IN CONTRACT DOCUMENTS)



TYPICAL PC. "B"
MIDDLE SECTIONS
(LENGTHS VARY)



TYPICAL PC. "C"
UPSTREAM END SECTION
LENGTH DICTATED BY OPSS 1821
(WHEN SPECIFIED IN CONTRACT DOCUMENTS)



Patent Pending (USA & Canada)

Piece Overview & Typical Installation Direction
VertiSet™ Installation Procedure



1645 SYDENHAM RD.
KINGSTON, ON
PHONE:
(800)223-0012
1-613-546-6683

www.AnchorConcrete.com