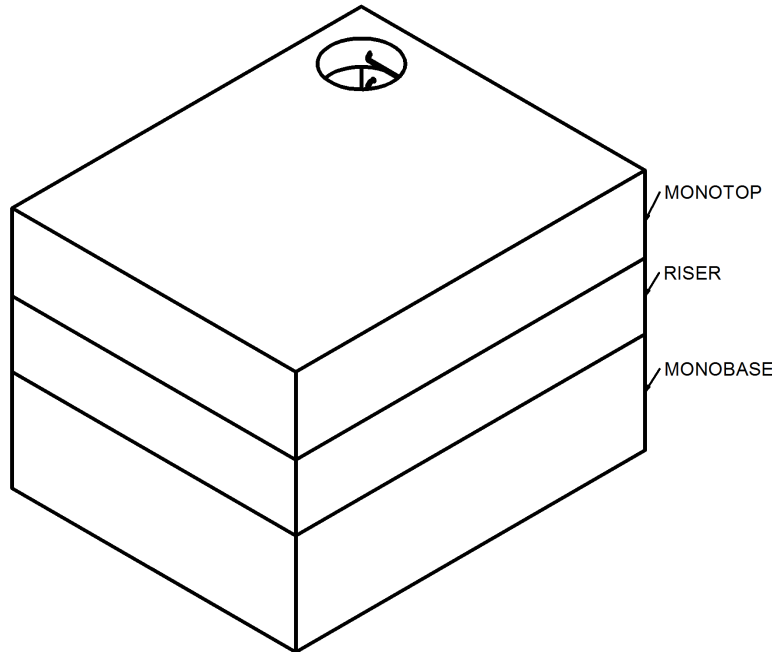
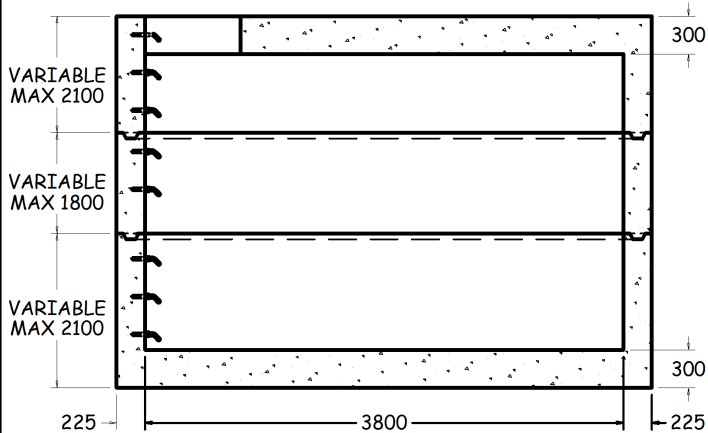
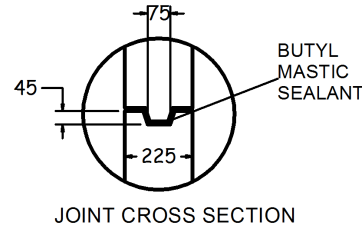
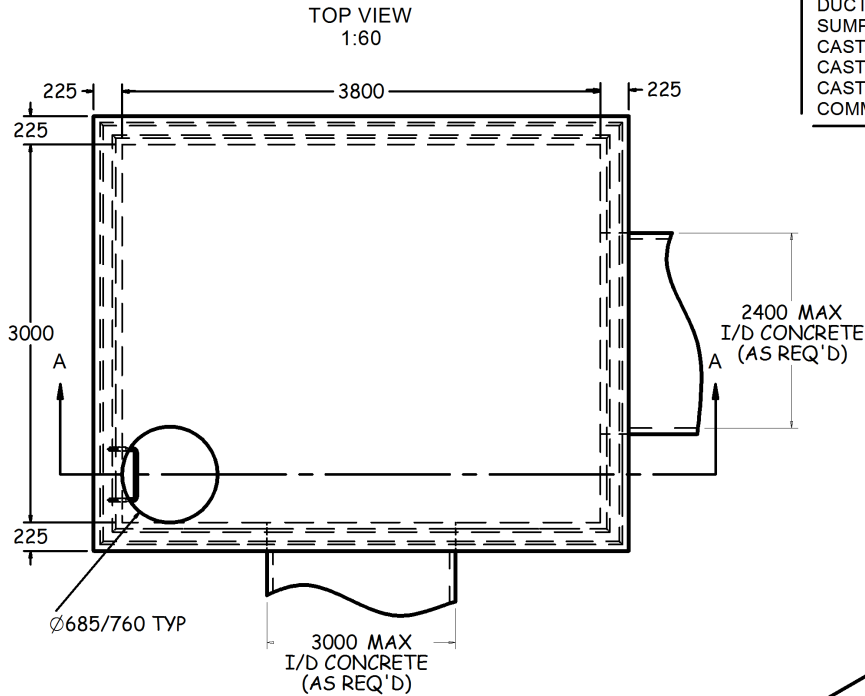


OPTIONS AVAILABLE UPON REQUEST INCLUDE:

- DUCT TERMINATORS
- SUMP W/DRAIN
- CAST-IN PULLING EYES
- CAST-IN CABLE RACKS
- CAST IRON EMBOSSED W/ ELECTRICAL OR COMMUNICATION



SECTION A-A
1:60

ISOMETRIC VIEW
1:65

3000x3800 ELECTRICAL/COMMUNICATION MANHOLE (BM3000)

SPECIFICATIONS

ALL DIMENSIONS IN MILLIMETRES.

CONCRETE:

45 MPa @ 28 DAYS,
5-8% AIR ENTRAINMENT IN ACCORDANCE
WITH CSA A23.1 MOD-M90.

REINFORCING:

IN ACCORDANCE WITH CSA G30.18 & OPSS 1440.
ALL REINFORCING STEEL HAS 30mm MIN. COVER.

WEIGHT:

WALLS	-7830 KG/V.M.
MONO BASE/TOP	-8208 KG
TOP SLAB	-10557 KG

NOTES:

- PRODUCT MANUFACTURED TO C.H.B.D.C. LOADING.
- MANUFACTURED IN ACCORDANCE WITH OPSS 1351.
- REINFORCING DETAILS AVAILABLE UPON REQUEST.
- ALL PIECES INCLUDE SWIFT LIFT LIFTING ANCHORS.
- ALL MAINTENANCE HOLES INCLUDE SOLID ALUMINUM LADDER RUNGS AS PER OPSD 405.020.
- VARIABLE OPENINGS IN TOP SLAB AVAILABLE UPON REQUEST.
- MAX. BURIAL DEPTH: 900mm. DEEP BURIAL DEPTHS AVAILABLE UPON REQUEST.
- REFER TO DRAWING MH-3 FOR MAX. PIPE SIZES. PIPE GASKETS AVAILABLE UPON REQUEST.
- REFER TO INSTALLATION GUIDELINES FOR BOX MANHOLES AND CHAMBERS.



1645 SYDENHAM RD.
KINGSTON, ONT.

PHONE:
(800) 223-0012
1-613-546-6683

www.anchorconcrete.com