

OPTIONS AVAILABLE UPON REQUEST INCLUDE:  
 DUCT TERMINATORS  
 CAST-IN PULLING EYES

**SPECIFICATIONS**

ALL DIMENSIONS IN MILLIMETRES.

**CONCRETE:**

35 MPa @ 28 DAYS,  
 5-8% AIR ENTRAINMENT IN ACCORDANCE  
 WITH CSA A23.1 MOD-M90.

**REINFORCING:**

IN ACCORDANCE WITH CSA G30.18 & OPSS 1440.  
 ALL REINFORCING STEEL HAS 30mm MIN. COVER.

**WEIGHT:**

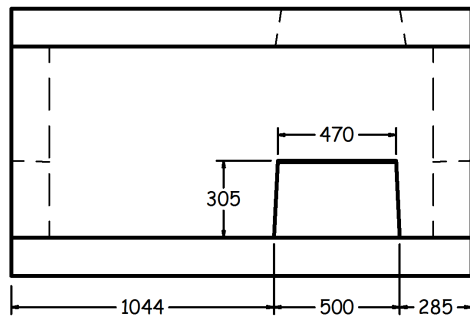
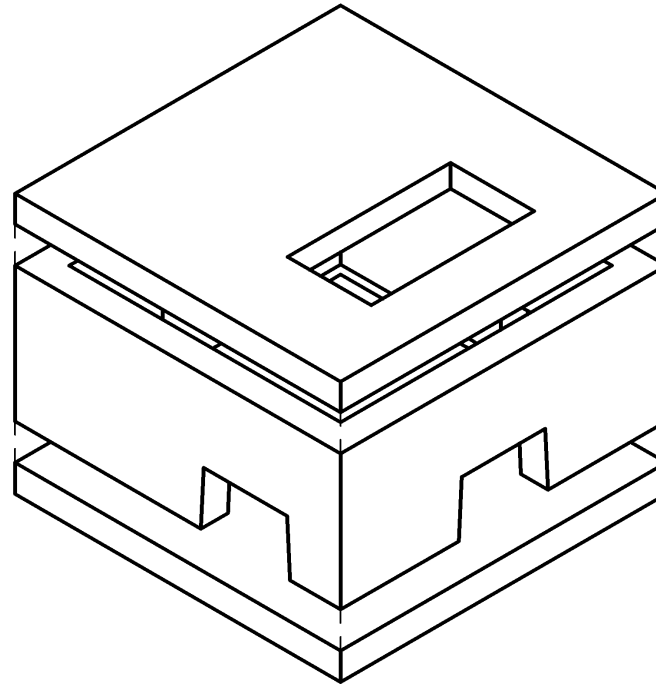
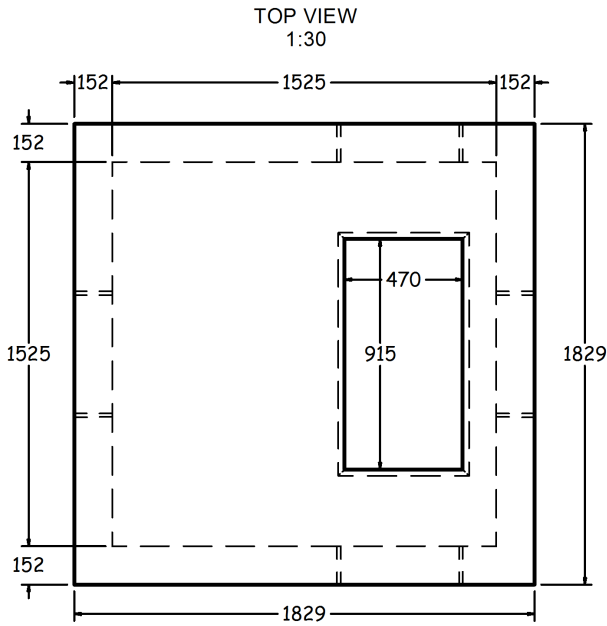
3900 KG

**NOTES:**

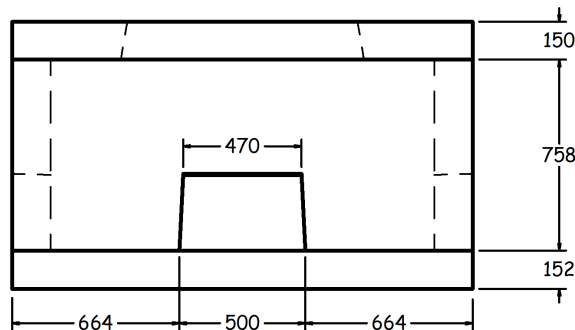
REINFORCING DETAILS AVAILABLE UPON REQUEST.

SUITABLE FOR TRANSFORMERS 150 TO 500 KVA.

VARIABLE OPENINGS IN TOP SLAB  
 AVAILABLE UPON REQUEST.



FRONT VIEW  
1:30



SIDE VIEW  
1:30

**454 LA TRANSFORMER VAULT (M012659S)**



1645 SYDENHAM RD.  
 KINGSTON, ONT.

PHONE:  
 (800) 223-0012  
 1-613-546-6683

[www.anchorconcrete.com](http://www.anchorconcrete.com)