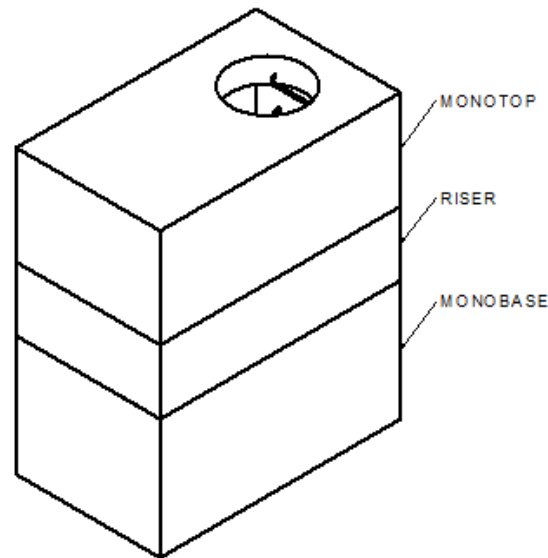
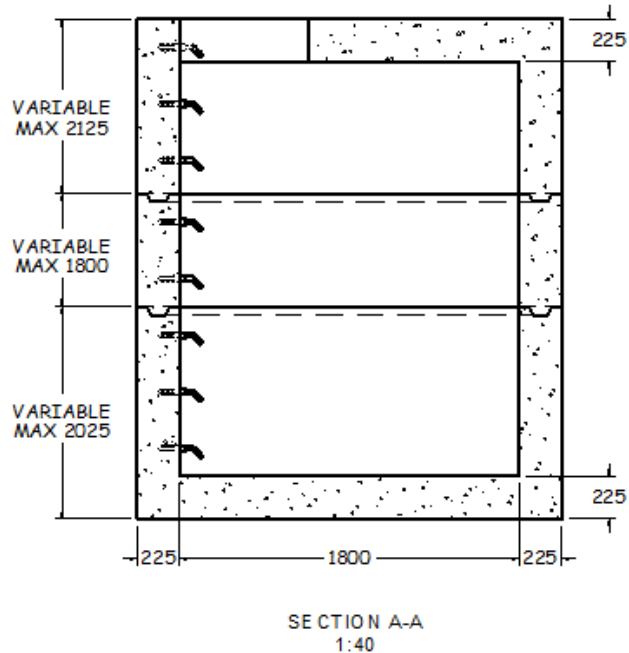
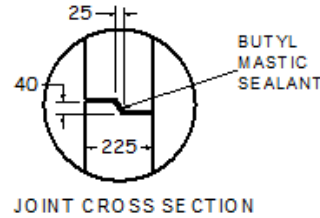
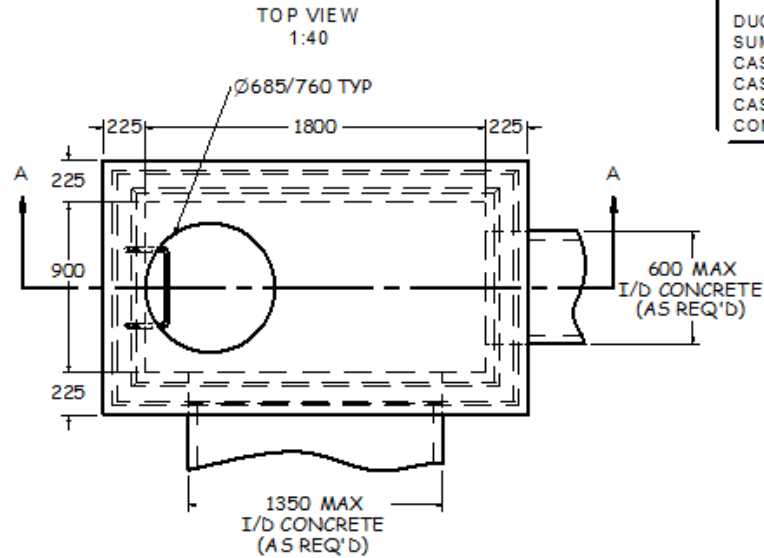


**OPTIONS AVAILABLE UPON REQUEST INCLUDE:**

DUCT TERMINATORS  
 SUMP W/DRAIN  
 CAST-IN PULLING EYES  
 CAST-IN CABLE RACKS  
 CAST IRON EMBOSSED W/ ELECTRICAL OR COMMUNICATION



**SPECIFICATIONS**

ALL DIMENSIONS IN MILLIMETRES.

**CONCRETE:**

45 MPa @ 28 DAYS,  
 5-8% AIR ENTRAINMENT IN ACCORDANCE WITH CSA A23.1 MOD-M90.

**REINFORCING:**

IN ACCORDANCE WITH CSA G30.18 & OPSS 1440.  
 ALL REINFORCING STEEL HAS 30mm MIN. COVER.

**WEIGHT:**

WALLS	-3402 KG/V.M.
MONO BASE/TOP	-875 KG
TOP SLAB	-1640 KG

**NOTES:**

PRODUCT MANUFACTURED TO C.H.B.D.C. LOADING.  
 MANUFACTURED IN ACCORDANCE WITH OPSS 1351.  
 REINFORCING DETAILS AVAILABLE UPON REQUEST.  
 ALL PIECES INCLUDE SWIFT LIFT LIFTING ANCHORS.

ALL MAINTENANCE HOLES INCLUDE SOLID ALUMINUM LADDER RUNGS AS PER OPSD 405.020.

VARIABLE OPENINGS IN TOP SLAB AVAILABLE UPON REQUEST.

MAX. BURIAL DEPTH: 900mm.  
 DEEP BURIAL DEPTHS AVAILABLE UPON REQUEST.

REFER TO DRAWING MH-3 FOR MAX. PIPE SIZES.  
 PIPE GASKETS AVAILABLE UPON REQUEST.

REFER TO INSTALLATION GUIDELINES FOR BOX MANHOLES AND CHAMBERS.

**900x1800 ELECTRICAL/COMMUNICATION MANHOLE (BM0900)**



1645 SYDENHAM RD.  
 KINGSTON, ONT.

PHONE:  
 (800) 223-0012  
 1-613-546-6683

www.anchorconcrete.com