

SPECIFICATIONS

ALL DIMENSIONS IN MILLIMETRES.
 OPTIONAL EMULSIFIED ASPHALT COMPOUND COATING ON BACK.

CONCRETE:

35 MPa @ 28 DAYS,
 5-8% AIR ENTRAINMENT IN ACCORDANCE WITH CSA A23.4.00.

REINFORCING:

IN ACCORDANCE WITH CSA G30.12
 REINFORCING STEEL TYP. 15M @ 200 C/C VERT
 15M @ 280 C/C HORIZ
 WITH 30mm MIN. COVER.

WEIGHT:

3.3 TONNES

BACKFILL:

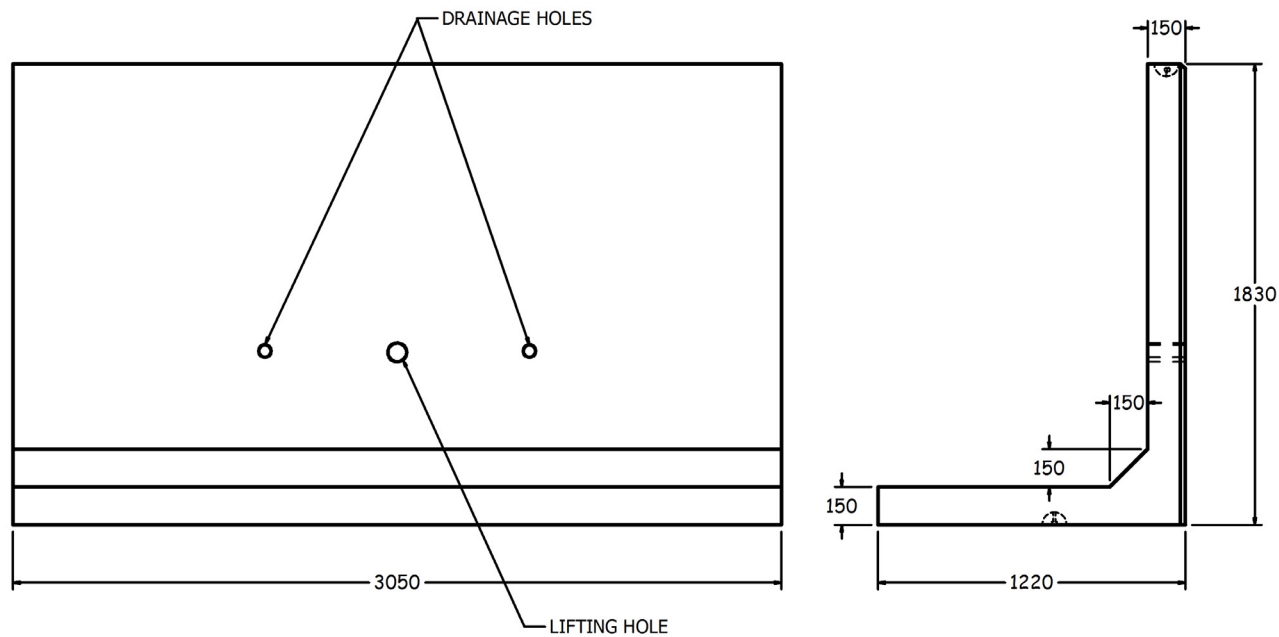
BACKFILL BEHIND L-WALLS IS TO BE FREE DRAINING
 GRANULAR MATERIAL.

EMBANKMENT:

SLOPE AND SURCHARGE SITUATIONS TO BE CHECKED
 AND VERIFIED TO AVOID OVERLOAD CONDITIONS.

FOUNDATION:

BEARING STRATA AND SUB-BASE TREATMENT
 TO GEO-TECHNICAL ENGINEER REQUIREMENTS.



6 FT L-WALL (CP1000)



1645 SYDENHAM RD.
 KINGSTON, ONT.

PHONE:
 (800) 223-0012
 1-613-546-6683

www.anchorconcrete.com