

**STANDARD TOP CAP**

**SPECIFICATIONS**

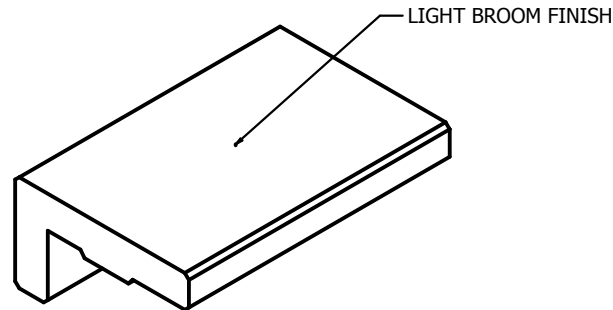
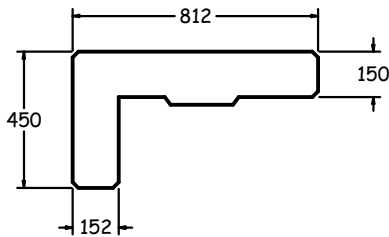
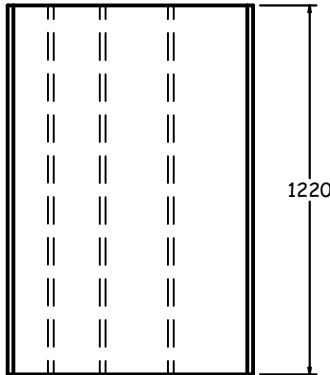
ALL DIMENSIONS IN MILLIMETRES.

**CONCRETE:**

35 MPa @ 28 DAYS,  
6% AIR ENTRAINMENT IN ACCORDANCE  
WITH OPSD 920.012

**WEIGHT:**

STANDARD: 379 KG  
L-STYLE: 514 KG



**L-STYLE TOP CAP**

**MAGNUMSTONE CAPS**



1645 SYDENHAM RD.  
KINGSTON, ONT.

PHONE:  
(800) 223-0012  
1-613-546-6683

[www.anchorconcrete.com](http://www.anchorconcrete.com)