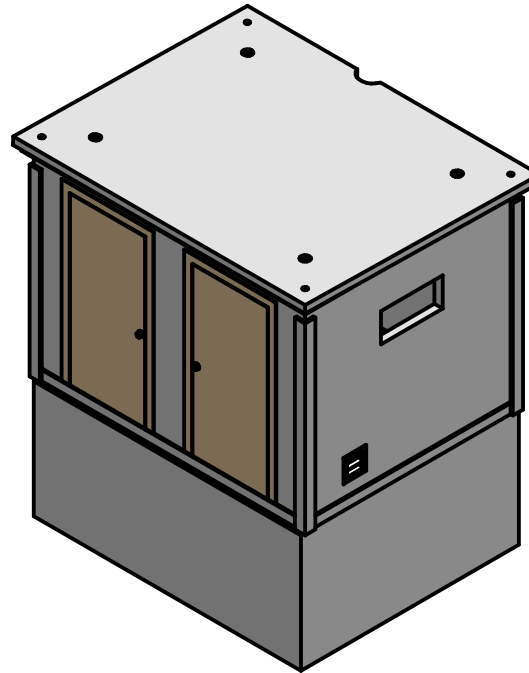
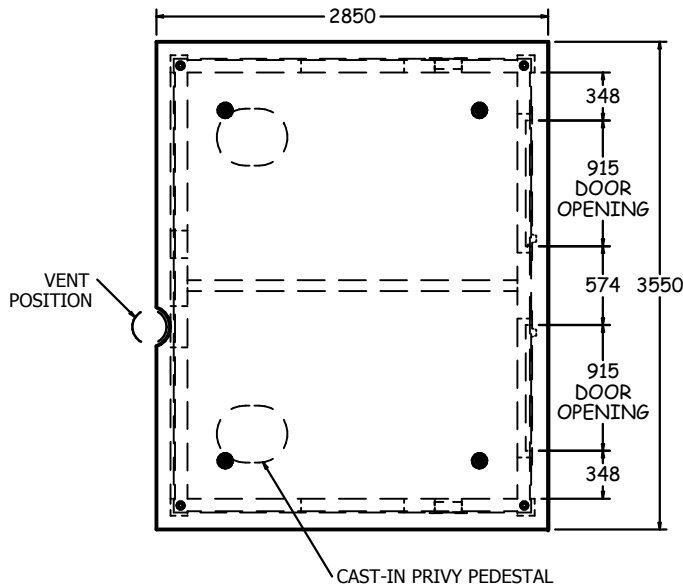


TOP VIEW
1:55



SPECIFICATIONS

BUILDING:

REINFORCING STEEL FOR WALLS, ROOF AND BASE TO BE IN ACCORDANCE WITH CSA G30.18 & OPSS 1440. ALL REBAR HAS 30mm COVER.

CONCRETE: 35MPA @28 DAYS, 5-8% AIR ENT. AS PER CSA A23-1-09.

CAST-IN 16 GAUGE PAINTED STEEL DOOR FRAME.

TOTAL ROOF DESIGN LOAD 5.9 KPa (MIN).
TOTAL FLOOR LOAD 6.9 KPa.
FULLY COMPLIANT WITH OBC WIND LOADS WITH A S.F.=4.

BOARD AND BATTEN FINISH. CHOICE OF EXTERIOR COLOUR ON REQUEST.

DELIVERED AND PLACED AS 2 PIECES (TANK AND SUPERSTRUCTURE). SEAL BETWEEN WALLS AND ROOF IS A MAINTENANCE FREE BUTYL MASTIC SEALANT.

2 VENTS CAST-IN.

SLOPED OVERHANGING ROOF TO FACILITATE WATER SHEDDING. DRIP EDGE AROUND ROOF OVERHANG.

GFRP PRIVY PEDESTAL AS STANDARD. SEAT AND FITTING AVAILABLE AS OPTIONAL EXTRAS.

DOORS & HARDWARE:

(2) 914x2032x44 THICK HOLLOW METAL DOORS.

16 GA STEEL WITH ZINC BASE COAT AND EXTERIOR FINISH COAT.

SPOT WELDED EDGES AND INTERIOR STEEL STIFFENERS FOR IMPROVED VANDAL RESISTANCE.

THREE VANDAL-RESISTANT HINGES PER DOOR.

EACH DOOR HAS A STEEL TOP CAP AND ALUMINUM AND FIBRE DOOR SWEEP.

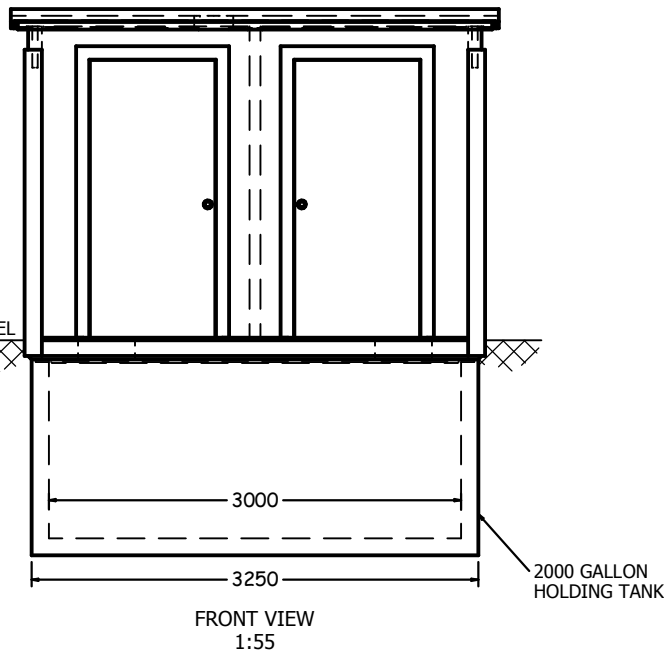
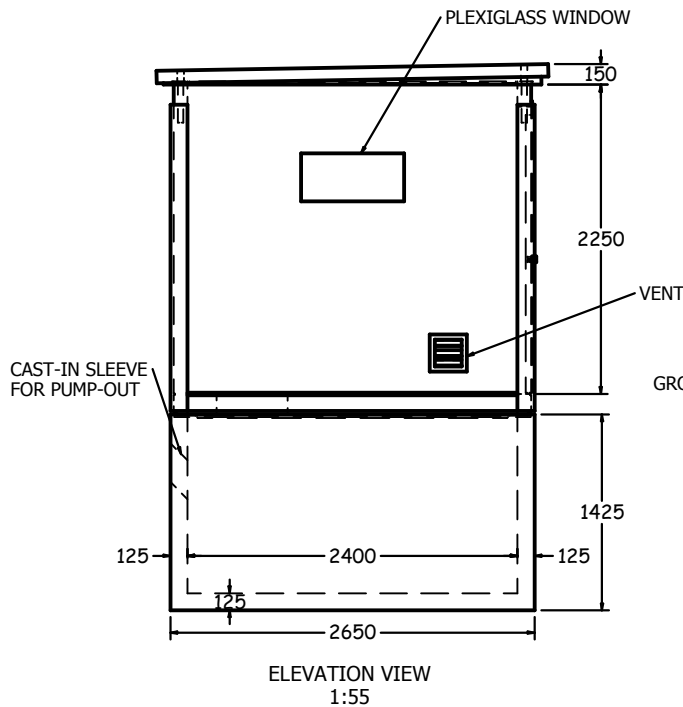
HIGH QUALITY DEADBOLT SCHLAGE LOCK, 83T7K-STK-626 STANDARD.

KEYED ALIKE OPTIONS.

EACH DOOR HAS A SPRING SOFTENED CHAIN CHECK.

TANK:

TANK PROVIDED WITH HOLES FOR PUMP-OUT AND VENT. PIPES NOT INCLUDED.



REDICAST™ PRIVY VAULT



1645 SYDENHAM RD.
KINGSTON, ONT.

PHONE:
(800) 223-0012
1-613-546-6683

www.anchorconcrete.com