

INNOVATION THROUGH ENGINEERING



THE REDICAST™ ADVANTAGE

FINALLY, A SERVICE BUILDING THAT LOOKS AS GREAT AS IT WORKS

1-800-223-0012 • FAX: 613-546-4540 • SALES@ANCHORCONCRETE.COM
1645 SYDENHAM ROAD • KINGSTON • ONTARIO • CANADA K7L4V4 • WWW.ANCHORCONCRETE.COM





When you need a building to combine strength, security, portability and ease of delivery, use

The REDICAST™ Advantage

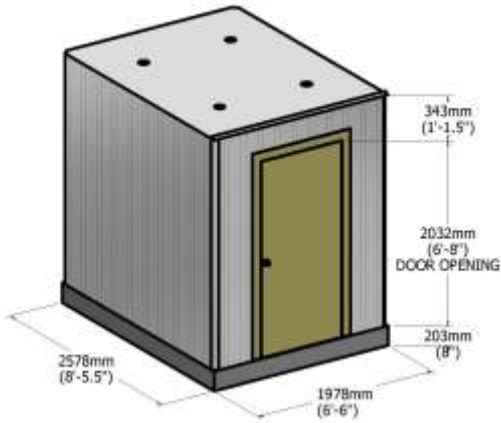
REDICAST service buildings have been **designed** and **engineered** to meet your need for quick delivery, outstanding quality, and security while maintaining affordability.

- The steel reinforced precast concrete structure provides strength and security
- Monocast walls and roof provide security, weather proofing and reduce maintenance
- Our attractive board and batten and brick finishes discourage vandalism and come in a variety of colours
- With the optional addition of graffiti protective coating REDICAST are nearly indestructible
- Steel doors add additional security and are designed to resist vandalism
- Steel door frame is cast in for security
- No on site assembly required
- Building is easily relocated
- Made of environmentally friendly materials

Attractive design and structural strength provide you with security and peace of mind that make REDICAST™ a step above the rest.

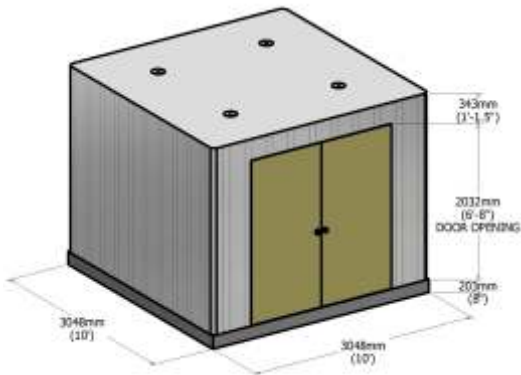
Perfect for your:

- Secure Storage needs
- Communications Equipment
- Utility Equipment
- Recycling Materials
- Flammables and Hazardous Materials
- Records storage
- Utility Washrooms



REDICAST™ 8

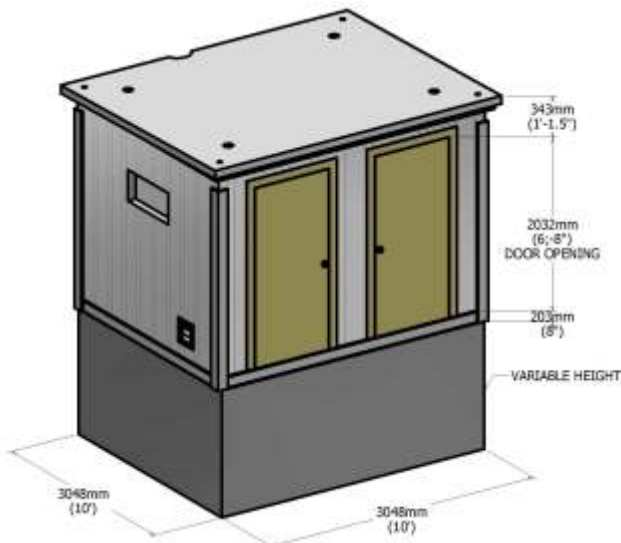
Outside	8' x 6'6" x 8'4" high	(2.44M x 1.98M x 2.54M)
Inside	7'5" x 5'11" x 7'2" high	(2.26M x 1.80M x 2.18M)
Weight	16,000lbs	(7,257 KG)



REDICAST™ 10

Outside	10' x 10' x 8'4" high	(3.05M x 3.05M x 2.54M)
Inside	9'5" x 9'5" x 7'2" high	(2.87M x 2.87M x 2.18M)
Weight	24,000lbs	(10,886 KG)

*fixed door with top and bottom surface bolts



INTRODUCING REDICAST™ PRIVY

Outside	8' x 6'6" x 8'4" high	(2.44M x 1.98M x 2.54M)
Inside	7'5" x 5'11" x 7'2" high	(2.26M x 1.80M x 2.18M)
Weight	16,000lbs	(7,257 KG)

Privy includes washroom accessories and vault.



BUILDINGS

Steel reinforced walls, roof and base.

Cast in 16 GA painted steel door frame.

Live roof load 40 PSF (min).

Max wind load 31 PSF.

Concrete 4000 PSI (Min).

No joints between walls and between walls and roof for superior weather protection.

Delivered and placed as one piece (no site assembly required).

Seal between walls and base (or walls and roof) is a maintenance free mastic sealant.

Aluminum vents cast in.

Aluminum drip edge cast in above the doors to keep out the elements.

Available in a variety of finishes.

Concrete strength: 35MPA @ 28 days, 5-7% air as per CSA A23:4-00.

DOORS & HARDWARE

36" x 80" x 1 3/4" thick hollow metal doors.

16 GA steel, with zinc base coat and exterior finish coat.

Spot welded edges and interior steel stiffeners for improved vandal resistance.

Three vandal resistant hinges per door.

Each door has a vinyl top cap and aluminum and fiber door sweep.

High quality deadbolt lock, standard (can be fitted with spec locks to match existing sets).

Keyed alike options.

Each door has a spring softened chain check.

Door bottom flush to floor height.

SITE PREPARATION

On level solid asphalt: no additional preparation required. Bearing pads are available for a minimal additional cost.

On grass base: construct the base of 6" of compacted stone with 2" loose stone chips on top to the below dimensions:

REDICAST 8: 9' x 7'6"
REDICAST 10: 11' x 11'
REDICAST PRIVY: 10' x 10'

Building Permits: usually not required. Refer to your local building code.

Site Restrictions: For the safety and security of Anchor Staff and associates, buildings cannot be placed under any wiring. Anchor reserves the right to restrict certain sites based on other unforeseen safety concerns.

Site must be accessible by tractor trailer and crane to within 10ft of the center of the desired building location.

Buildings cannot be moved once encased in asphalt or other material. However, in other cases the buildings are easily relocated as one piece.