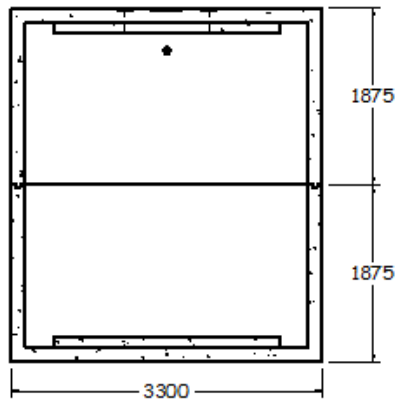


SIDE SECTION  
1:80



END SECTION  
1:80

**SPECIFICATIONS**

ALL DIMENSIONS IN MILLIMETRES.

**NOM. CAPACITY:**

13200 GALLONS (60000 LITRES) TO INVERT OF OUTLET.  
103.1 GALLONS/IN. VERTICALLY.  
18460 LITRES/M VERTICALLY.

**CONCRETE:**

45 MPa @ 28 DAYS,  
5-8% AIR ENTRAINMENT IN ACCORDANCE  
WITH CSA A23.1 MOD-M90

**REINFORCING:**

IN ACCORDANCE WITH CSA G30.18.  
HEAVY DUTY VERSION DESIGNED TO CAN 56-06  
(C.H.B.D.C.) AVAILABLE.  
ALL REINFORCING STEEL HAS 30mm MIN. COVER.  
REINFORCING DETAILS AVAILABLE UPON REQUEST.

**BAFFLES:**

INLET: PVC PLASTIC LOCKED INTO CONCRETE.

**INLET & OUTLET:**

POLYLOK TYPE III PIPE SEALS FOR  
51 (2"), 76 (3") OR 102 (4") PIPE.

**WEIGHT:**

MONOBASE	-23250 KG
MONOTOP	-22910 KG

**NOTES:**

- MAX. BURIAL DEPTH: 610mm.
- DEEP BURIAL TANKS AVAILABLE UPON REQUEST.
- ACCESS OPTIONS AVAILABLE.
- ABOVE GROUND INSTALLATION NOT PERMITTED.
- REFER TO INSTALLATION GUIDELINES FOR TANKS.

**13200 GAL SEPTIC TANK (ST3000)**



1645 SYDENHAM RD.  
KINGSTON, ONT.

PHONE:  
(800) 223-0012  
1-613-546-6683

www.anchorconcrete.com