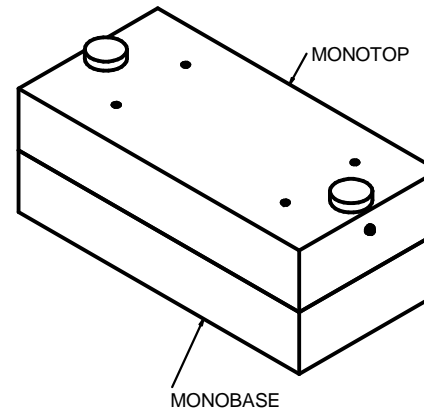
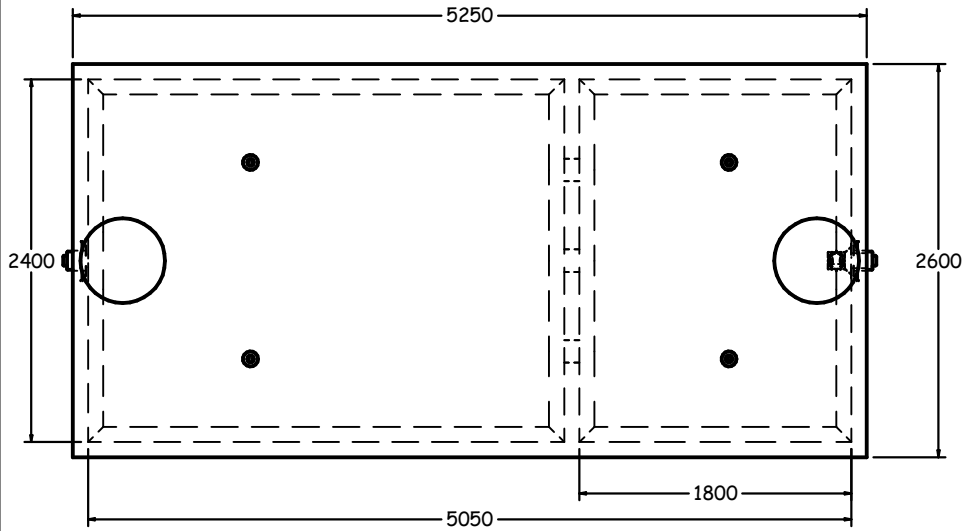


TOP VIEW  
1:50



**SPECIFICATIONS**

ALL DIMENSIONS IN MILLIMETRES.

**NOM. CAPACITY:**

4000 GALLONS (18200 LITRES) TO INVERT OF OUTLET.  
49.5 GALLONS/IN. VERTICALLY.  
8878 LITRES/M VERTICALLY.

**CONCRETE:**

45 MPa @ 28 DAYS,  
5-8% AIR ENTRAINMENT IN ACCORDANCE  
WITH CSA A23.1 MOD-M90

**REINFORCING:**

IN ACCORDANCE WITH CSA G30.18.  
ALL REINFORCING STEEL HAS 30mm MIN. COVER.  
REINFORCING DETAILS AVAILABLE UPON REQUEST.

**BAFFLES:**

PVC PLASTIC LOCKED INTO CONCRETE.

**INLET & OUTLET:**

POLYLOK TYPE III HIGH PRESSURE PIPE SEALS FOR  
76 (3") OR 102 (4") PIPE.

**WEIGHT:**

MONOBASE	-8003 KG
MONOTOP	-8003 KG

**NOTES:**

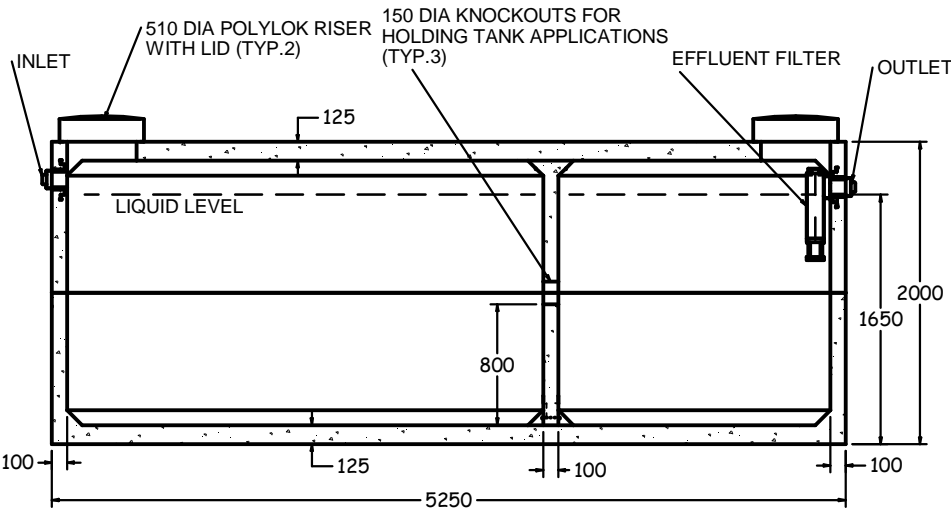
MANUFACTURED IN ACCORDANCE WITH OPSS 1351.

ALL PIECES INCLUDE SWIFT LIFT LIFTING ANCHORS.

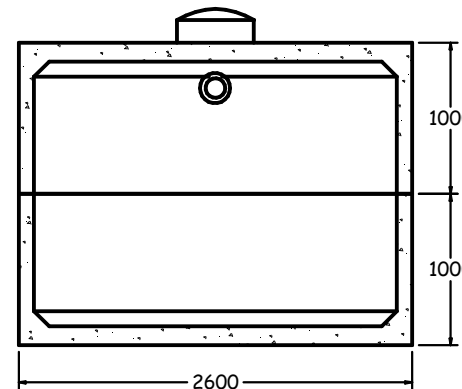
VARIABLE OPENINGS IN MONOTOP  
AVAILABLE UPON REQUEST.

MAX. BURIAL DEPTH: 1000mm.  
DEEP BURIAL DEPTHS AVAILABLE UPON REQUEST.

REFER TO INSTALLATION GUIDELINES FOR TANKS.



SIDE SECTION  
1:50



END SECTION  
1:50

**4000 GALLON SEPTIC TANK (ST3000)**



1645 SYDENHAM RD.  
KINGSTON, ONT.

PHONE:  
(800) 223-0012  
1-613-546-6683

www.anchorconcrete.com