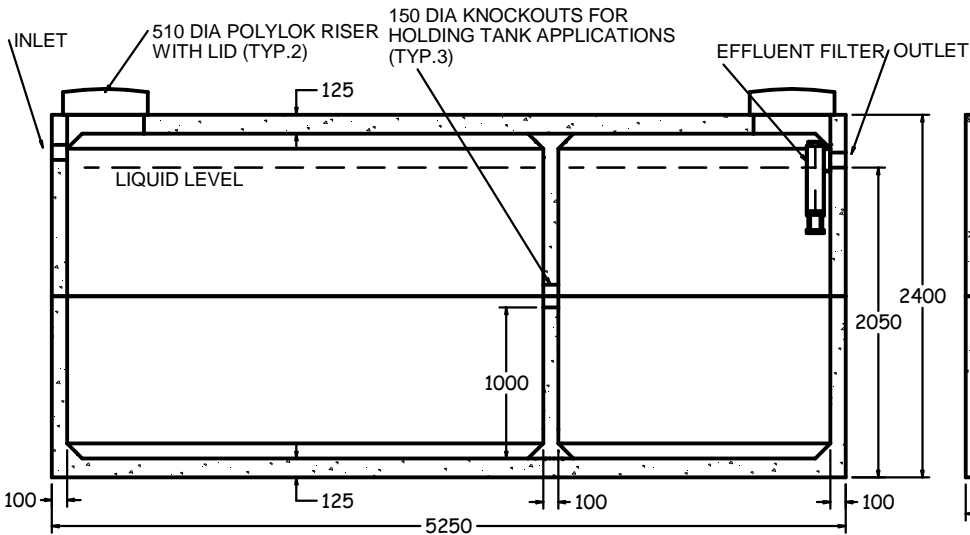
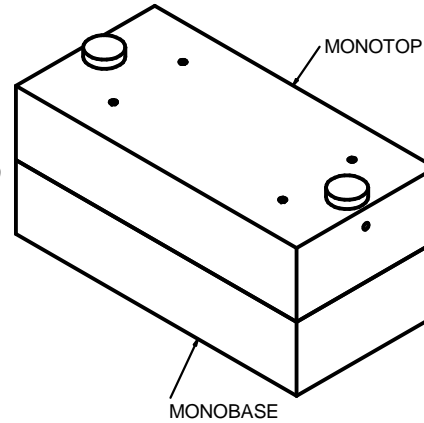
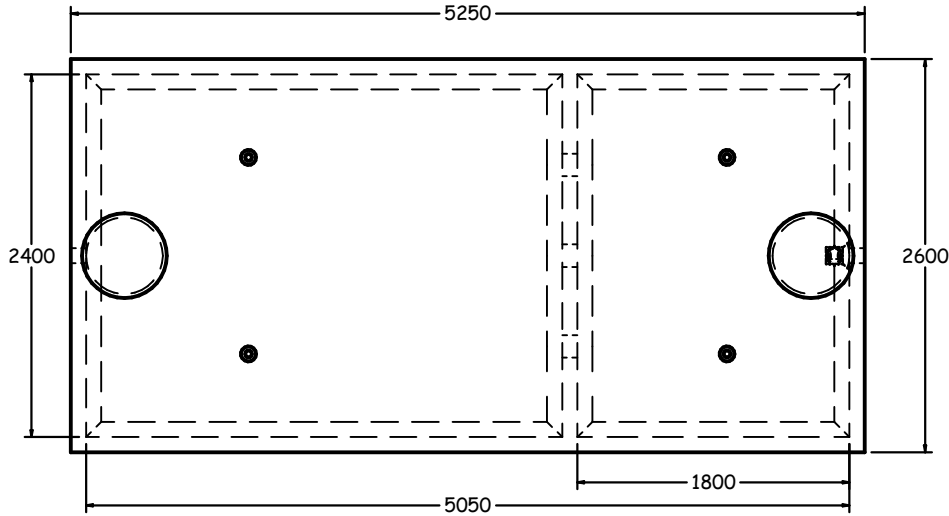
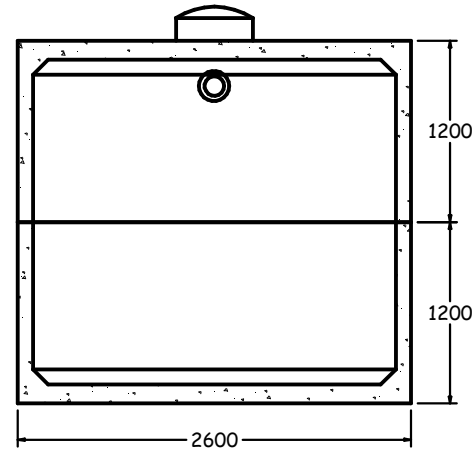


TOP VIEW
1:50



1:50



END SECTION
1:50

5000 GALLON SEPTIC TANK (ST3000)

SPECIFICATIONS

ALL DIMENSIONS IN MILLIMETRES.

NOM. CAPACITY:

5000 GALLONS (22700 LITRES) TO INVERT OF OUTLET.
62.0 GALLONS/IN. VERTICALLY.
11073 LITRES/M VERTICALLY.

CONCRETE:

45 MPa @ 28 DAYS,
5-8% AIR ENTRAINMENT IN ACCORDANCE
WITH CSA A23.1 MOD-M90

REINFORCING:

IN ACCORDANCE WITH CSA G30.18.
ALL REINFORCING STEEL HAS 30mm MIN. COVER,
REINFORCING DETAILS AVAILABLE UPON REQUEST.

BAFFLES:

PVC PLASTIC LOCKED INTO CONCRETE.

INLET & OUTLET:

POLYLOK TYPE III HIGH PRESSURE PIPE SEALS FOR
76 (3") OR 102 (4") PIPE.

WEIGHT:

MONOBASE	-9000 KG
MONOTOP	-9000 KG

NOTES:

MANUFACTURED IN ACCORDANCE WITH OPSS 1351.

ALL PIECES INCLUDE SWIFT LIFT LIFTING ANCHORS.

VARIABLE OPENINGS IN MONOTOP
AVAILABLE UPON REQUEST.

MAX. BURIAL DEPTH: 1000mm.
DEEP BURIAL DEPTHS AVAILABLE UPON REQUEST.

REFER TO INSTALLATION GUIDELINES FOR TANKS.



1645 SYDENHAM RD.
KINGSTON, ONT.

PHONE:
(800) 223-0012
1-613-546-6683

www.anchorconcrete.com