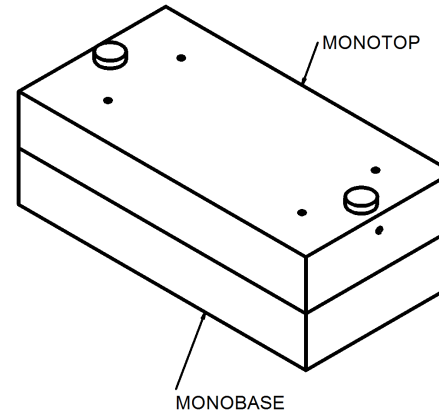
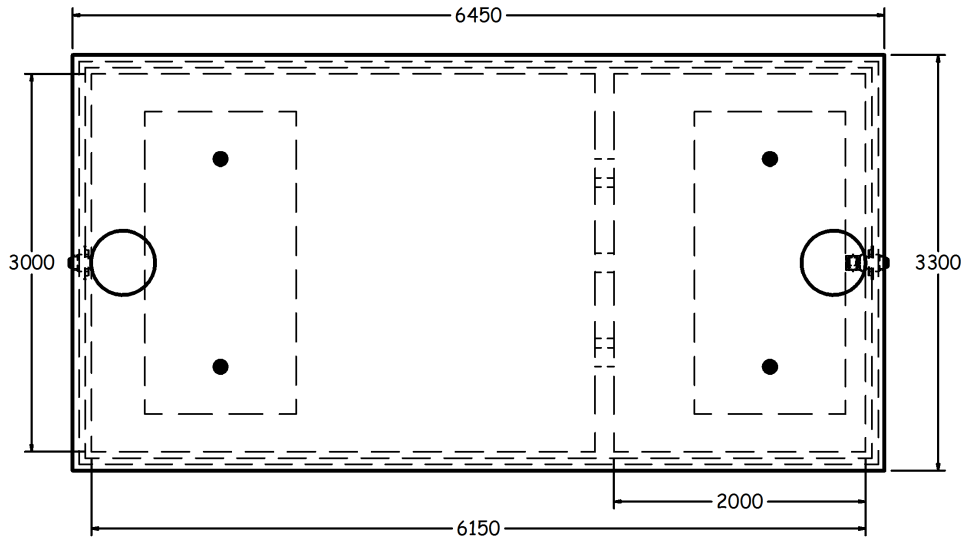


TOP VIEW
1:60



SPECIFICATIONS

ALL DIMENSIONS IN MILLIMETRES.

NOM. CAPACITY:

6600 GALLONS (30000 LITRES) TO INVERT OF OUTLET.
90.7 GALLONS/IN. VERTICALLY.
16216 LITRES/M VERTICALLY.

CONCRETE:

45 MPa @ 28 DAYS,
5-8% AIR ENTRAINMENT IN ACCORDANCE
WITH CSA A23.1 MOD-M90

REINFORCING:

IN ACCORDANCE WITH CSA G30.18.
ALL REINFORCING STEEL HAS 30mm MIN. COVER.
REINFORCING DETAILS AVAILABLE UPON REQUEST.

BAFFLES:

PVC PLASTIC LOCKED INTO CONCRETE.

INLET & OUTLET:

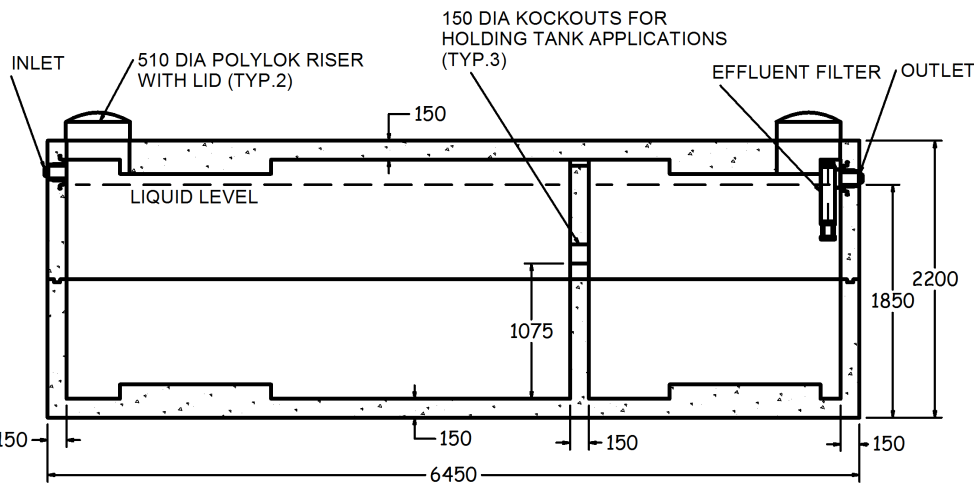
POLYLOK TYPE III HIGH PRESSURE PIPE SEALS FOR
76 (3") OR 102 (4") PIPE.

WEIGHT:

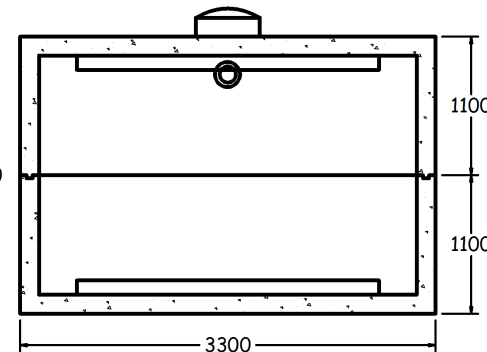
MONOBASE	-16600 KG
MONOTOP	-16600 KG

NOTES:

- MANUFACTURED IN ACCORDANCE WITH OPSS 1351.
- ALL PIECES INCLUDE SWIFT LIFT LIFTING ANCHORS.
- VARIABLE OPENINGS IN MONOTOP AVAILABLE UPON REQUEST.
- MAX. BURIAL DEPTH: 610mm.
DEEP BURIAL DEPTHS AVAILABLE UPON REQUEST.
- REFER TO INSTALLATION GUIDELINES FOR TANKS.



SIDE SECTION
1:60



END SECTION
1:60

6600 GALLON SEPTIC TANK (ST3000)



1645 SYDENHAM RD.
KINGSTON, ONT.

PHONE:
(800) 223-0012
1-613-546-6683

www.anchorconcrete.com