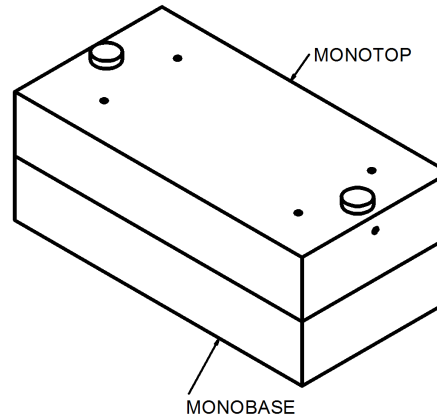
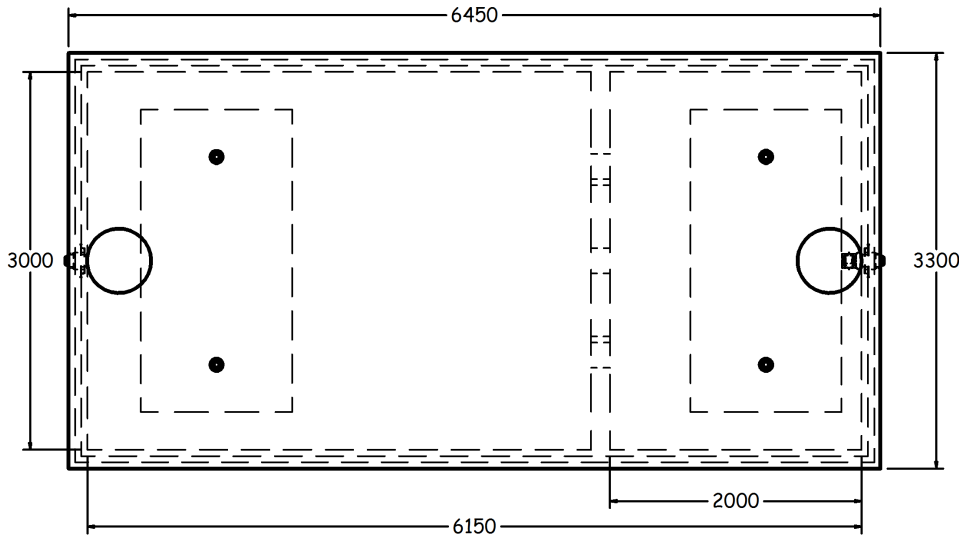


TOP VIEW  
1:60



**SPECIFICATIONS**

ALL DIMENSIONS IN MILLIMETRES.

**NOM. CAPACITY:**

7700 GALLONS (35000 LITRES) TO INVERT OF OUTLET.  
91.3 GALLONS/IN. VERTICALLY.  
16340 LITRES/M VERTICALLY.

**CONCRETE:**

45 MPa @ 28 DAYS,  
5-8% AIR ENTRAINMENT IN ACCORDANCE  
WITH CSA A23.1 MOD-M90

**REINFORCING:**

IN ACCORDANCE WITH CSA G30.18.  
ALL REINFORCING STEEL HAS 30mm MIN. COVER.  
REINFORCING DETAILS AVAILABLE UPON REQUEST.

**BAFFLES:**

PVC PLASTIC LOCKED INTO CONCRETE.

**INLET & OUTLET:**

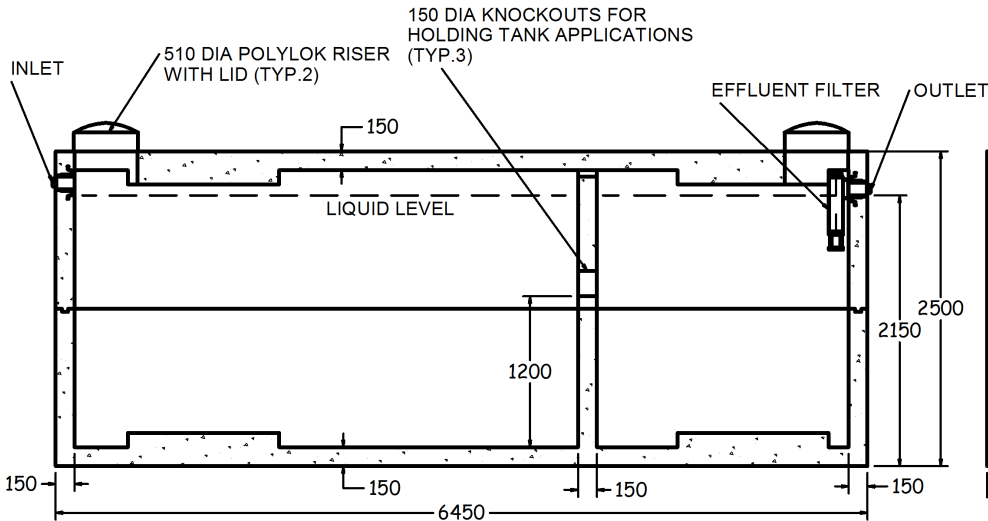
POLYLOK TYPE III HIGH PRESSURE PIPE SEALS FOR  
76 (3") OR 102 (4") PIPE.

**WEIGHT:**

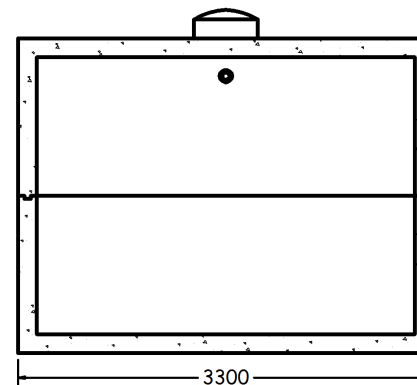
MONOBASE	-18320 KG
MONOTOP	-18180 KG

**NOTES:**

- PRODUCT MANUFACTURED TO C.H.B.D.C. LOADING.
- MANUFACTURED IN ACCORDANCE WITH OPSS 1351.
- ALL PIECES INCLUDE SWIFT LIFT LIFTING ANCHORS.
- VARIABLE OPENINGS IN MONOTOP AVAILABLE UPON REQUEST.
- MAX. BURIAL DEPTH: 610mm.
- DEEP BURIAL DEPTHS AVAILABLE UPON REQUEST.
- REFER TO INSTALLATION GUIDELINES FOR TANKS.



SIDE SECTION  
1:60



END SECTION  
1:60

**7700 GALLON SEPTIC TANK (ST3000)**



1645 SYDENHAM RD.  
KINGSTON, ONT.

PHONE:  
(800) 223-0012  
1-613-546-6683

[www.anchorconcrete.com](http://www.anchorconcrete.com)