

SPECIFICATIONS

ALL DIMENSIONS IN MILLIMETRES.

CONCRETE

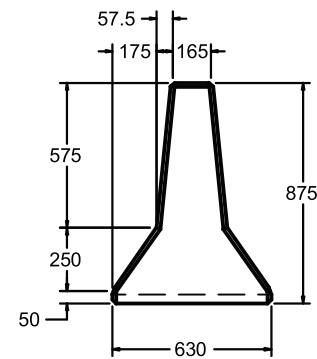
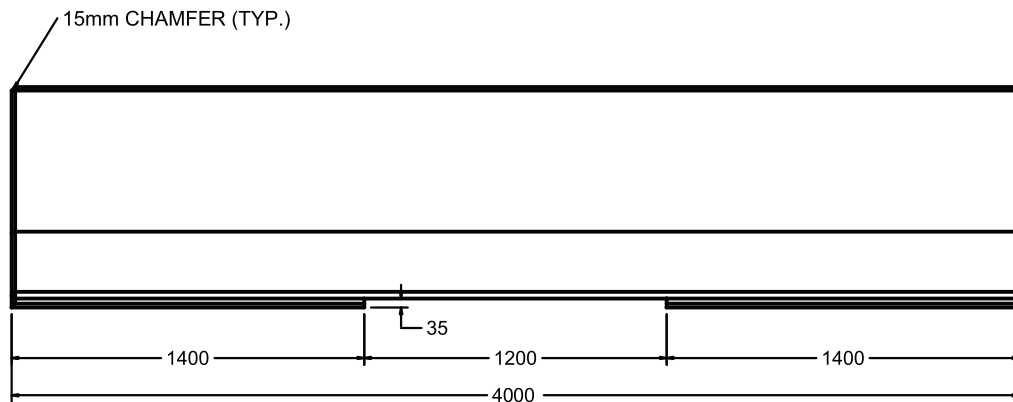
35 MPa @ 28 DAYS,
6% AIR ENTRAINMENT IN ACCORDANCE
WITH OPSD 920.012

REINFORCING:

IN ACCORDANCE WITH CSA G30.12
ALL REINFORCING STEEL HAS 30mm MIN. COVER

WEIGHT:

2550 KG



TRAFFIC BARRIER W/O END CONNECTION TS1000)



1645 SYDENHAM RD.
KINGSTON, ONT.

PHONE:
(800) 223-0012
1-613-546-6683

www.anchorconcrete.com