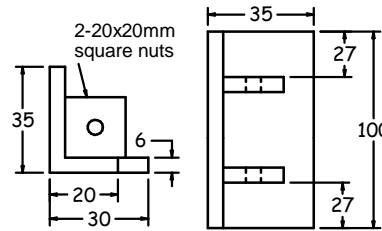
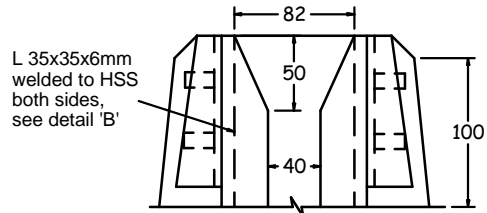


SIDE ELEVATION



DETAIL 'B'

SPECIFICATIONS

ALL DIMENSIONS IN MILLIMETRES.

CONCRETE:

35 MPa @ 28 DAYS,
6% AIR ENTRAINMENT IN ACCORDANCE
WITH OPSD 911.143.

REINFORCING:

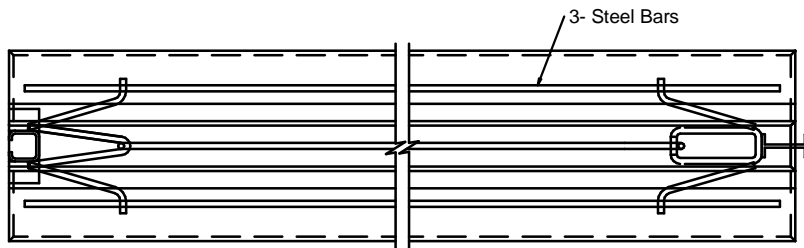
IN ACCORDANCE WITH CSA G30.18.
ALL REINFORCING STEEL HAS 30mm MIN. COVER.

WEIGHT:

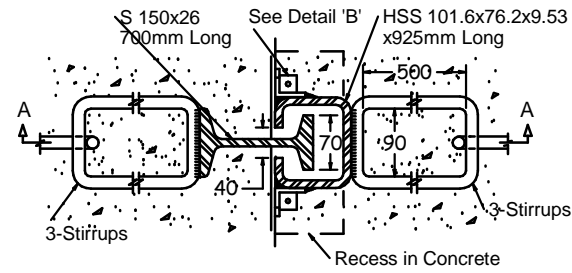
4600 KG

USES:

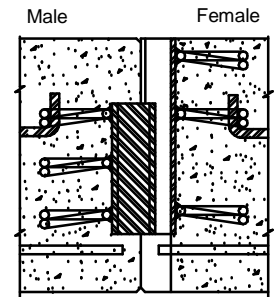
ALTERNATE TO CAST-IN PLACE BARRIER WALLS.



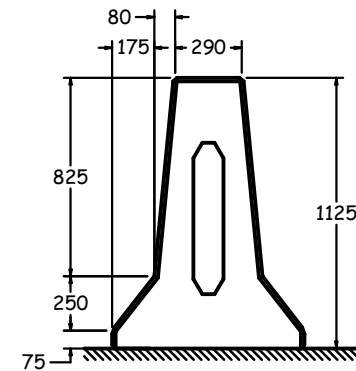
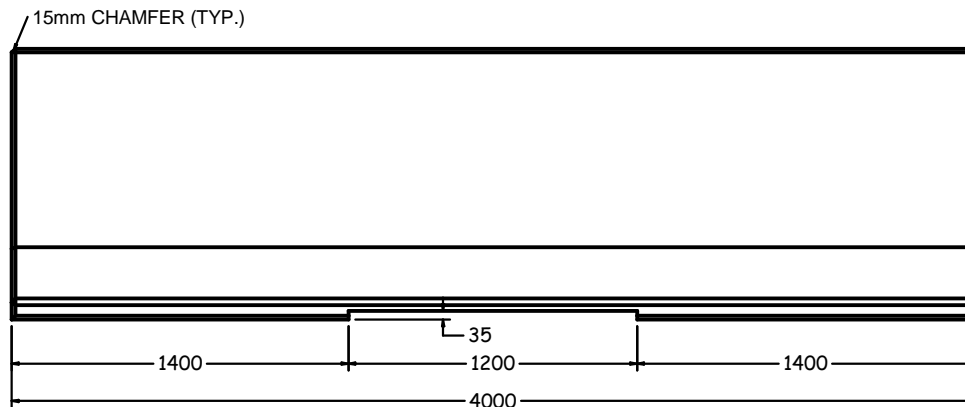
PLAN VIEW



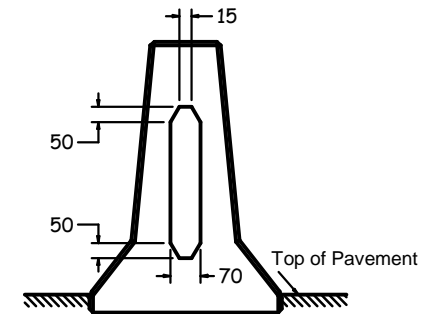
CONNECTION DETAIL



SECTION A-A



TEMPORARY INSTALLATION



PERMANENT INSTALLATION

TALL WALL BARRIER (TS1000)



1645 SYDENHAM RD.
KINGSTON, ONT.

PHONE:
(800) 223-0012
1-613-546-6683

www.anchorconcrete.com