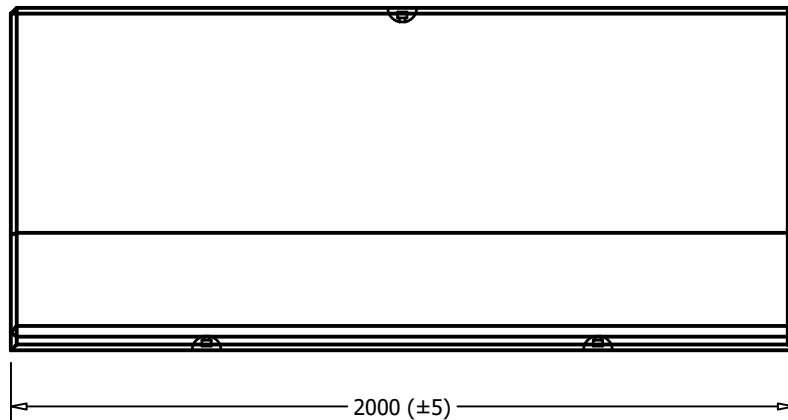
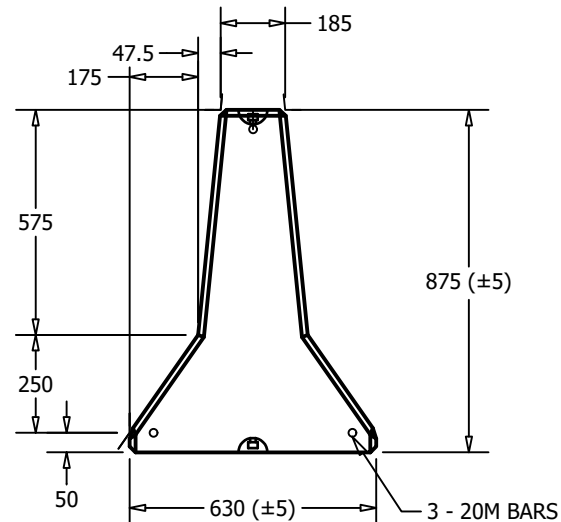



ISOMETRIC VIEW



FRONT VIEW



END VIEW

SIZE:	HALF SIZE TRAFFIC BARRIER	
NAME:		
WEIGHT:	1227.050 kg	
CONCRETE:	<b>45 Mpa @ 28 DAYS,</b> 5-8% AIR ENT. AS PER CSA A23.1.14 CONCRETE EXPOSURE CLASS C-1 (MIX 132) MIN. STRIPPING STRENGTH <b>20 Mpa</b>	
REINFORCING:	IN ACCORDANCE WITH CSA G30.18, ALL REBAR HAS 50 (±10) COVER	
DESIGNED AND MANUFACTURED TO:		
BILL OF MATERIALS:	<u>CAST-IN:</u> 3 - 4 TON SWIFT LIFTS 180mm LONG 3 - 20M BARS 1900mm LONG	
NOTES:		
DRAWN BY:	C.S. 10/18/19	
CHECKED BY:		
REVISION:	A.B. 10/25/2022	
	1645 SYDENHAM RD KINGSTON, ON	
	PHONE: (800) 223-0012 1-613-546-6683	
www.anchorconcrete.com		