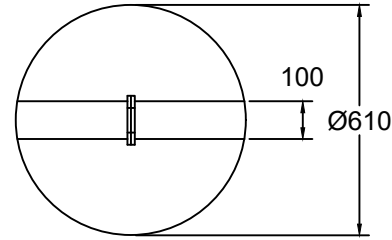
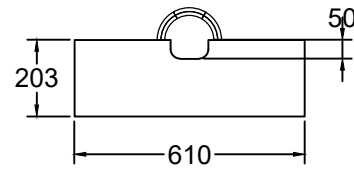


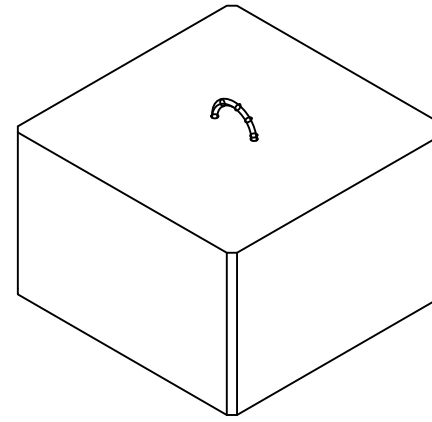
**Ø610mm x 203mm
136 kg (300lbs)**



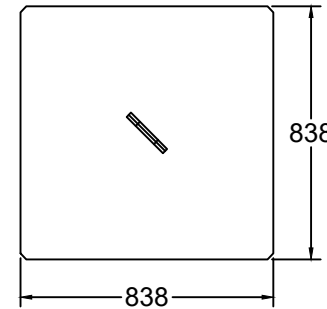
TOP VIEW



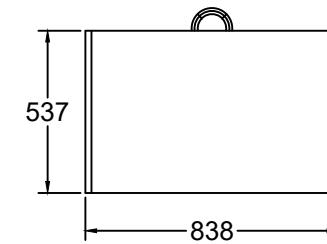
SIDE VIEW



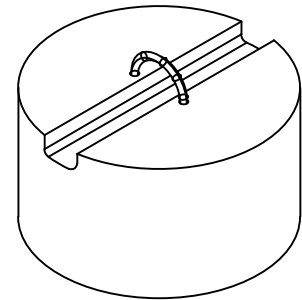
**838mm x 838mm x 537mm
907kg (2000lbs)**



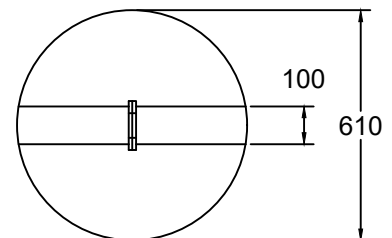
TOP VIEW



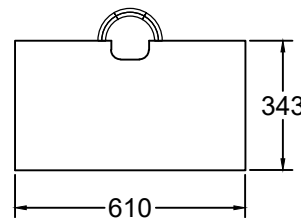
SIDE VIEW



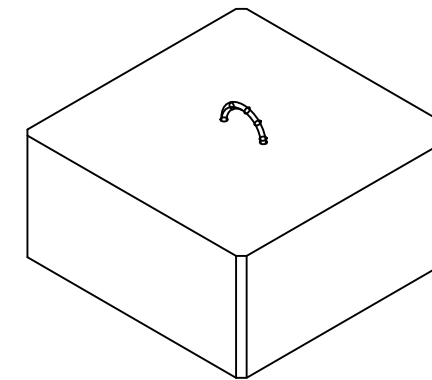
**Ø610mm x 343mm
227kg (500lbs)**



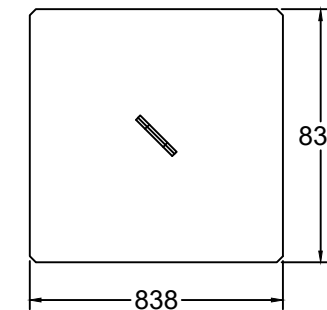
TOP VIEW



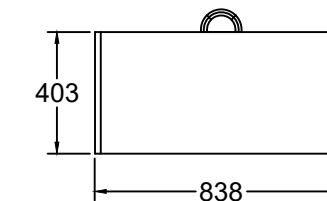
SIDE VIEW



**838mm x 838mm x 403mm
680kg (1500lbs)**



TOP VIEW



SIDE VIEW

NOTES:

ALL DIMENSIONS IN MILLIMETERS UNLESS OTHERWISE STATED.

DO NOT SCALE

ANCHOR CONCRETE PRODUCTS LTD. ASSUMES NO LIABILITY FOR ANY SITE CONDITIONS. ALL DETAILS RELATED TO STABILITY OF FOUNDING CONDITIONS, EXCAVATIONS DEWATERING, BACKFILL, GEOMETRY, AND ASSOCIATED WORKS ARE THE SOLE RESPONSIBILITY OF THE GENERAL CONTRACTOR AND OR OWNER. A QUALIFIED GEOTECHNICAL ENGINEER IS TO BE RETAINED TO ASSESS SITE CONDITIONS AND VERIFY FOUNDING CONDITIONS.

ALL LIFTING ANCHORS ARE TO BE DAYTON SUPERIOR OR APPROVED ALTERNATIVE. ALL RIGGING, HOISTING, AND LIFTING TO BE IN STRICT ACCORDANCE WITH DAYTON SUPERIOR MANUAL.

CONCRETE:
35 MPa @ 28 DAYS
5-8% AIR ENTRAINMENT IN ACCORDANCE WITH CSA A23.1

REINFORCING:
IN ACCORDANCE WITH WITH CSA G30.18

DOCK WEIGHTS

DRAWN BY:

JS

DATE:

AUG 2023



1645 SYDENHAM RD.
KINGSTON, ON

PHONE:
(800) 223-0012
1-613-546-6683

WWW.ANCHORCONCRETE.COM