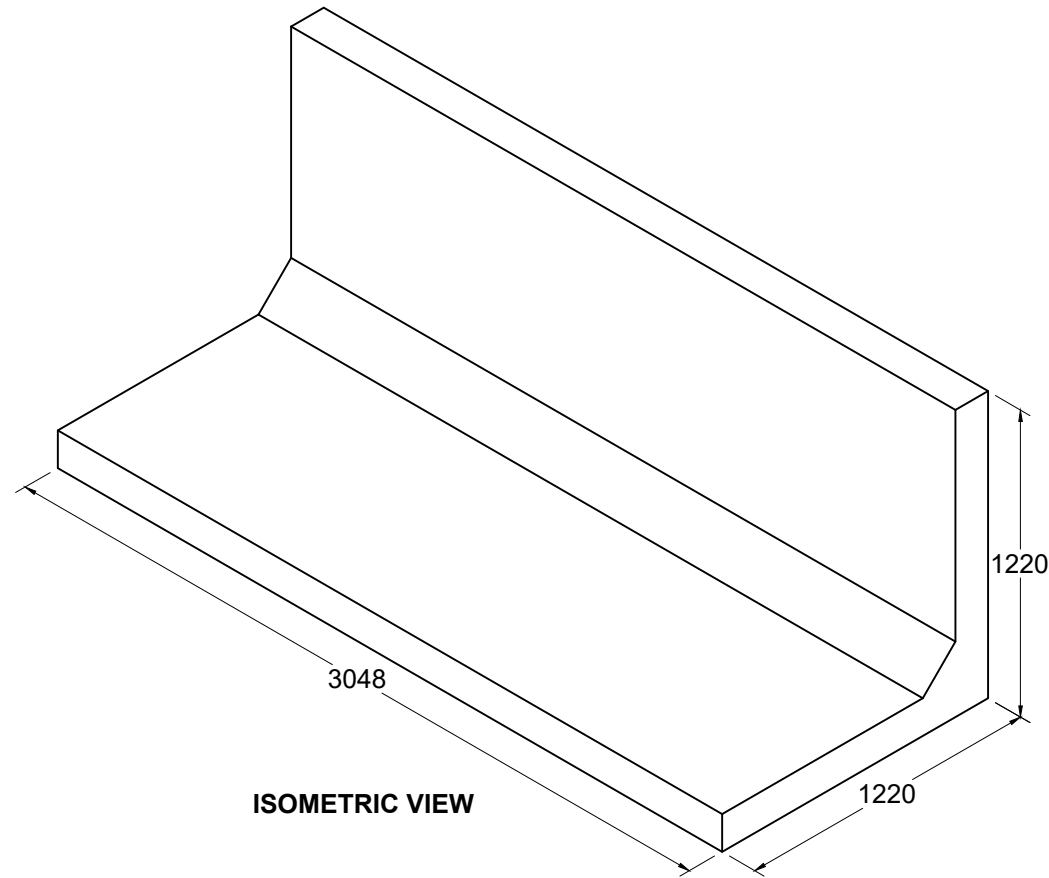
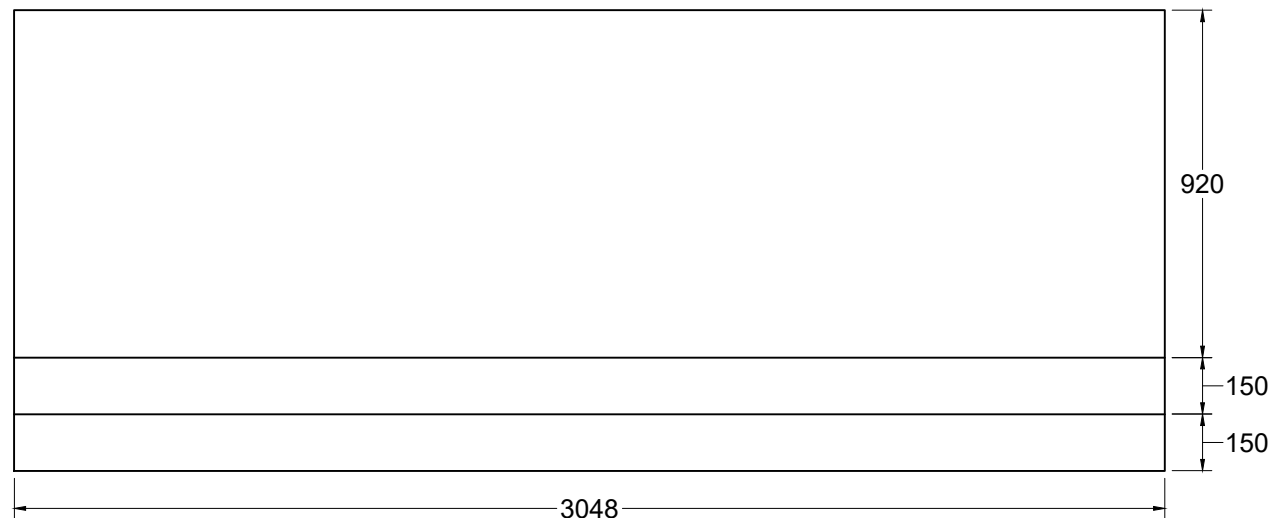




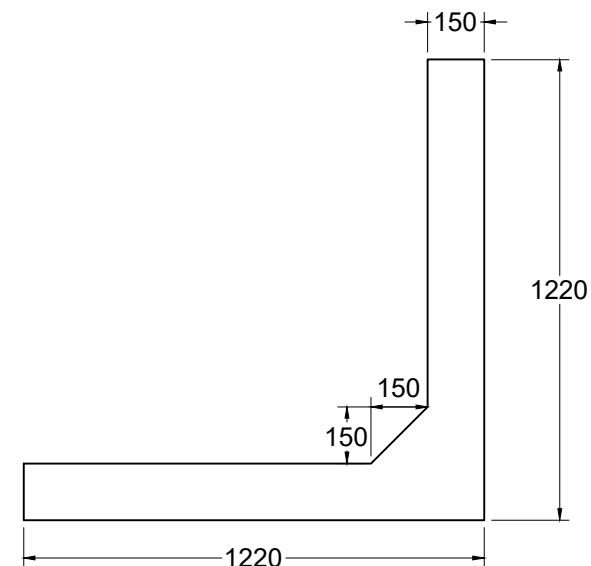
TOP VIEW



ISOMETRIC VIEW



FRONT VIEW



SIDE VIEW

NOTES:

ALL DIMENSIONS IN MILLIMETERS UNLESS OTHERWISE SPECIFIED

NOT TO SCALE

WEIGHT: 2600kg

BACKFILL BEHIND L-WALLS IS TO BE FREE DRAINING GRANULAR MATERIAL

SLOPE AND SURCHARGE SITUATIONS TO BE CHECKED AND VERIFIED TO AVOID OVERLOAD CONDITIONS

NO LIVE LOADS ARE TO BE PLACED ON TOP OF RETAINED AREA WITH A LINEAR DISTANCE OF 2.4m AS MEASURED FROM EXPOSED VERTICAL FACE OF WALL

IF LINE OF INFLUENCE OF VEHICLE LOADS ARE WITHIN 2.4m, THE GLOBAL STABILITY SHALL BE REVIEWED BY THE DESIGN ENGINEER

SUBBASE TO BE COMPACTED GRANULAR WITH MINIMUM BEARING CAPACITY OF 100kPa

ANCHOR CONCRETE PRODUCTS LTD. ASSUMES NO LIABILITY FOR ANY SITE CONDITIONS. ALL DETAILS RELATED TO STABILITY OF FOUNDING CONDITIONS, EXCAVATIONS DEWATERING, BACKFILL, GEOMETRY, AND ASSOCIATED WORKS ARE THE SOLE RESPONSIBILITY OF THE GENERAL CONTRACTOR AND OR OWNER. A QUALIFIED GEOTECHNICAL ENGINEER IS TO BE RETAINED TO ASSESS SITE CONDITIONS AND VERIFY FOUNDING CONDITIONS

ALL LIFTING ANCHORS ARE TO BE DAYTON SUPERIOR OR APPROVED ALTERNATIVE. ALL RIGGING, HOISTING, AND LIFTING TO BE IN STRICT ACCORDANCE WITH DAYTON SUPERIOR MANUAL

SPECIFICATIONS:
PRODUCT DESIGNED IN ACCORDANCE WITH CSA A23.3

PRODUCTION:
IN ACCORDANCE WITH CSA A23.4

CONCRETE:
IN ACCORDANCE WITH CSA A23.1
EXPOSURE CLASS: C1, 28 DAY COMP. STRENGTH: 35MPA, AIR ENTRAINMENT 5-8%

REINFORCING:
IN ACCORDANCE WITH WITH CSA G30.18
GRADE 400W CLEAR COVER = 65 ±10

4 FT L-WALL

DRAWN BY:

JS

DATE:

AUG 2023



1645 SYDENHAM RD.
KINGSTON, ON

PHONE:
(800) 223-0012
1-613-546-6683

WWW.ANCHORCONCRETE.COM