

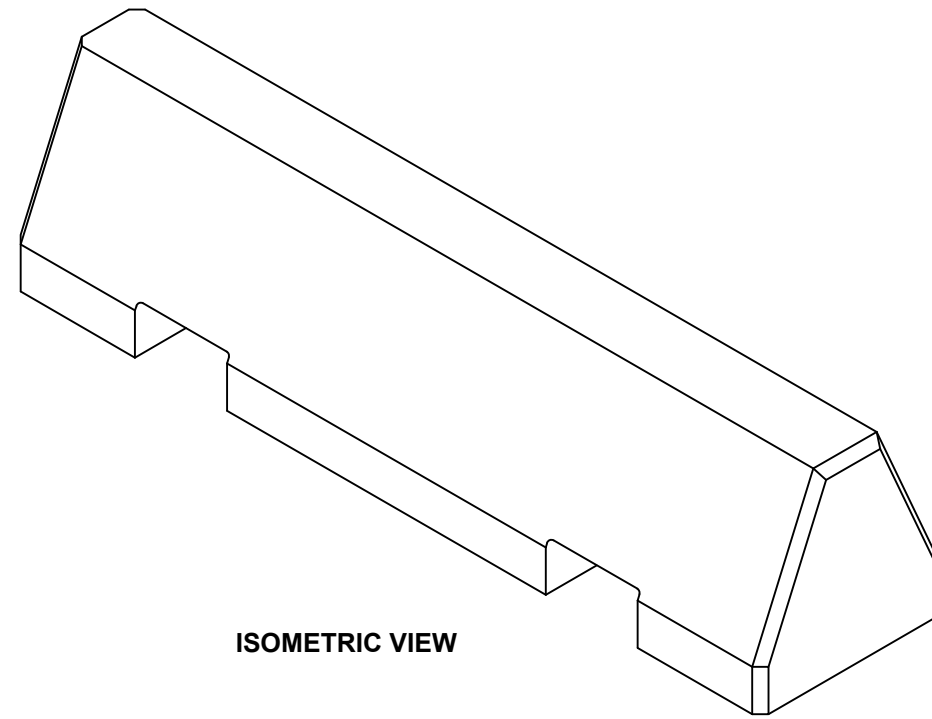
**NOTES:**

ALL DIMENSIONS IN MILLIMETERS UNLESS OTHERWISE STATED.

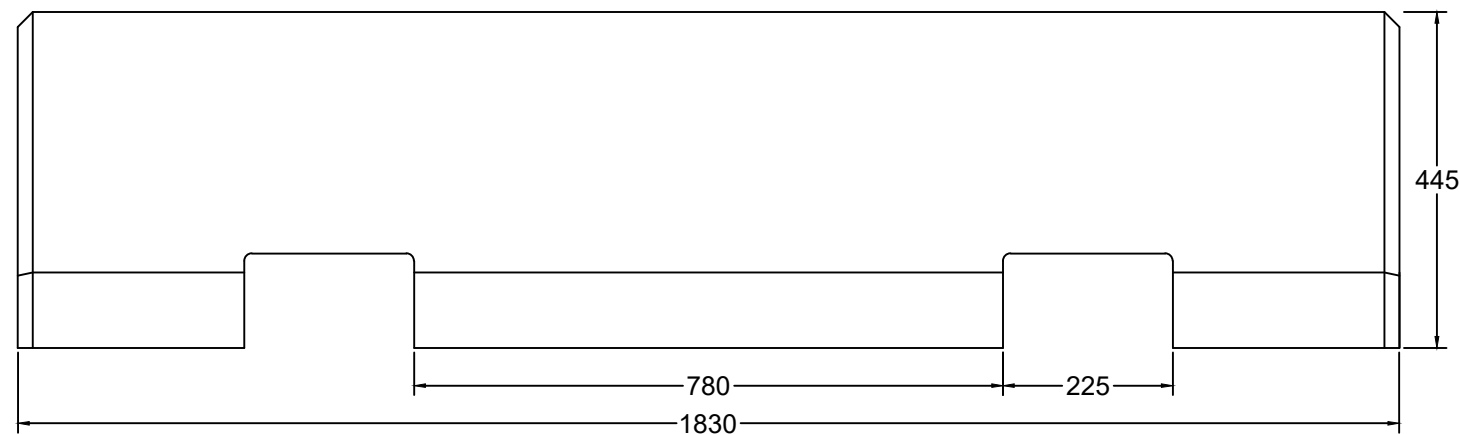
NOT TO SCALE

WEIGHT: 0.6 TONNES

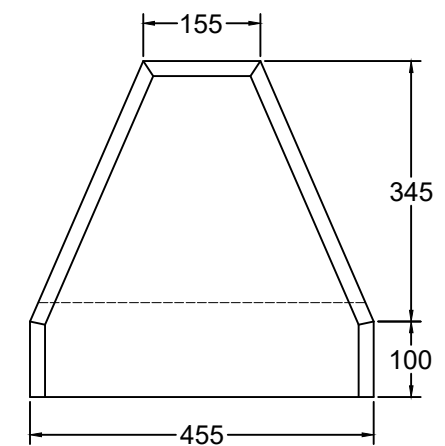
INSTALLATION BY OTHERS



**ISOMETRIC VIEW**



**SIDE VIEW**



**END VIEW**

**SPECIFICATIONS:**

PRODUCT DESIGNED IN ACCORDANCE WITH CSA A23.3

PRODUCTION:  
IN ACCORDANCE WITH CSA A23.4

CONCRETE:  
IN ACCORDANCE WITH CSA A23.1  
EXPOSURE CLASS: C1, 28 DAY COMP. STRENGTH: 35MPA, AIR ENTRAINMENT 5-8%

REINFORCING:  
IN ACCORDANCE WITH WITH CSA G30.18  
GRADE 400W

# MINI TRAFFIC BARRIER

DRAWN BY:

JS

DATE:

AUG 2023



1645 SYDENHAM RD.  
KINGSTON, ON

PHONE:  
(800) 223-0012  
1-613-546-6683

WWW.ANCHORCONCRETE.COM