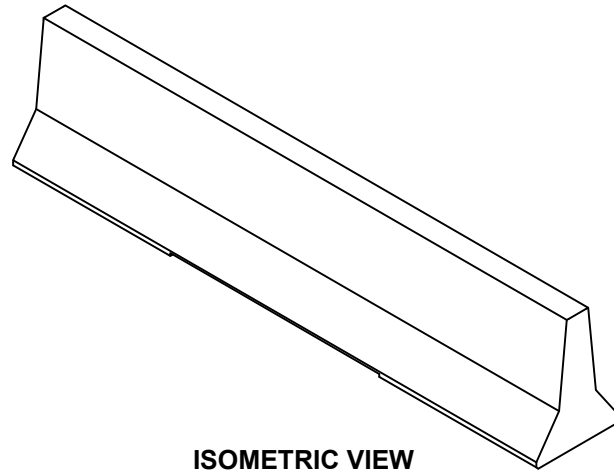
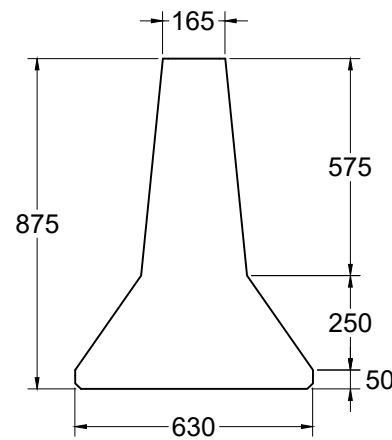


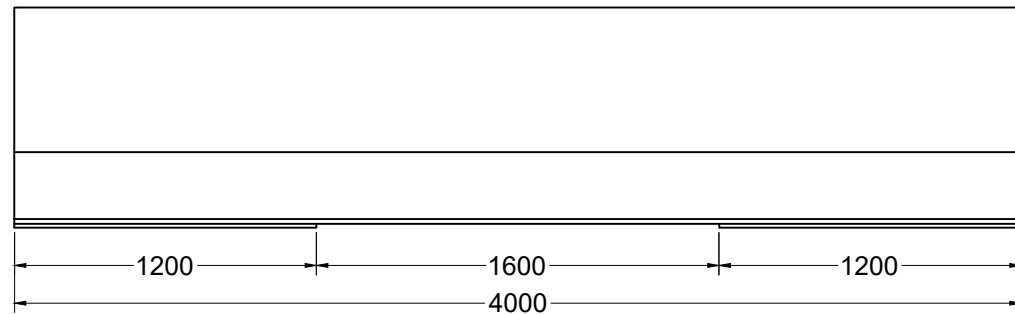
**TRAFFIC BARRIER W/O  
HARDWARE**



**ISOMETRIC VIEW**

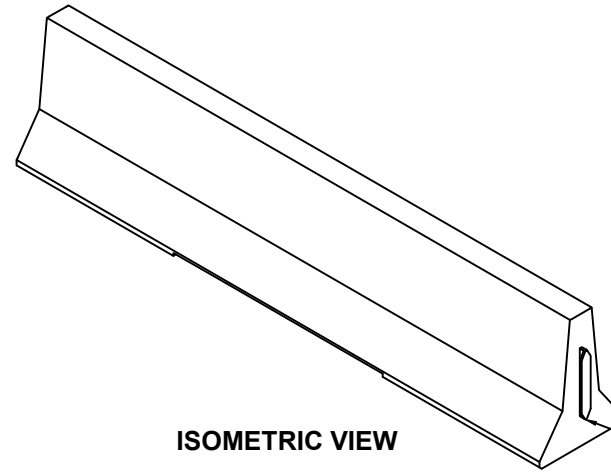


**END VIEW**



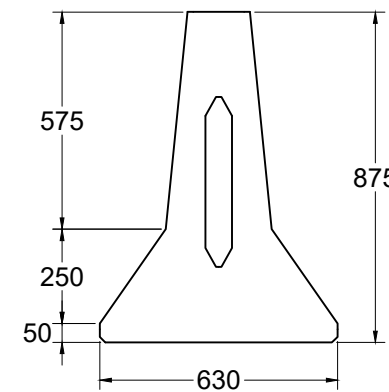
**SIDE VIEW**

**TRAFFIC BARRIER W/  
HARDWARE**

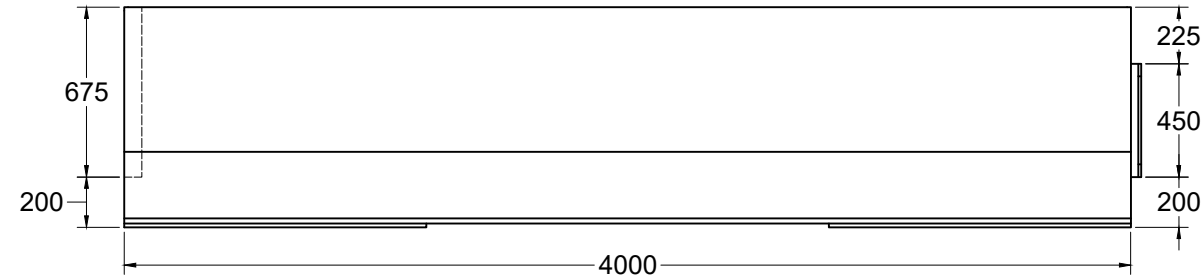


**ISOMETRIC VIEW**

GALVANIZED I-LOCK  
CONNECTION HARDWARE



**END VIEW**



**SIDE VIEW**

**NOTES:**

ALL DIMENSIONS IN MILLIMETERS UNLESS OTHERWISE STATED

NOT TO SCALE

WEIGHT: 2.6 TONNES

INSTALLATION BY OTHERS

**SPECIFICATIONS:**  
PRODUCT IN ACCORDANCE WITH OPSD 911.140

**PRODUCTION:**  
IN ACCORDANCE WITH CSA A23.4

**CONCRETE:**  
IN ACCORDANCE WITH CSA A23.1  
EXPOSURE CLASS: C1, 28 DAY COMP. STRENGTH: 35MPA, AIR ENTRAINMENT 5-8%

**REINFORCING:**  
IN ACCORDANCE WITH WITH CSA G30.18  
GRADE 400W

**STANDARD TRAFFIC BARRIER**  
(OPSD 911.140)

DRAWN BY:

JS

DATE:

AUG 2023



1645 SYDENHAM RD.  
KINGSTON, ON

PHONE:  
(800) 223-0012  
1-613-546-6683

WWW.ANCHORCONCRETE.COM