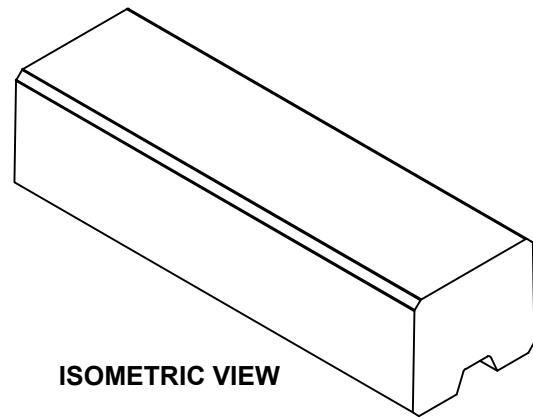
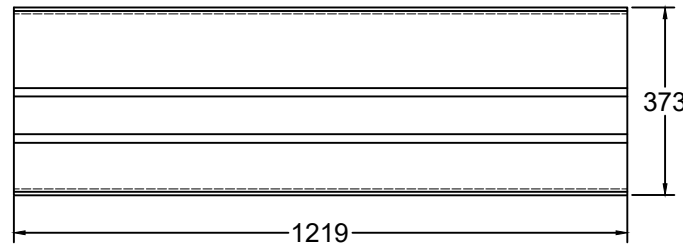


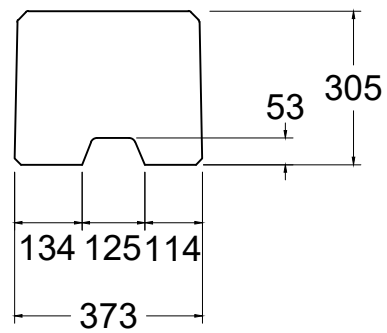
MINI PRECAST PLATFORM CURB TOP
WEIGHT: 310 kg



ISOMETRIC VIEW

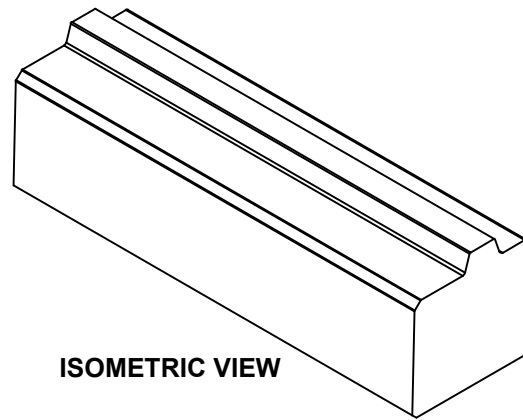


TOP VIEW

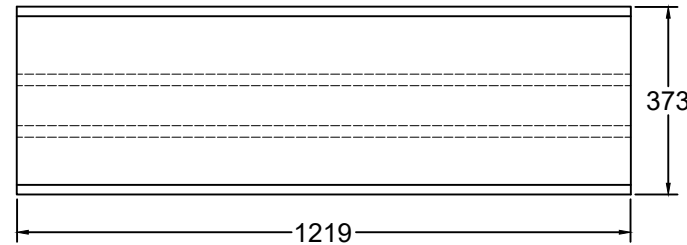


END VIEW

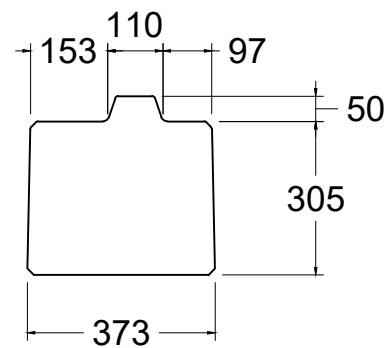
MINI PRECAST PLATFORM CURB BASE
WEIGHT: 360 kg



ISOMETRIC VIEW



TOP VIEW

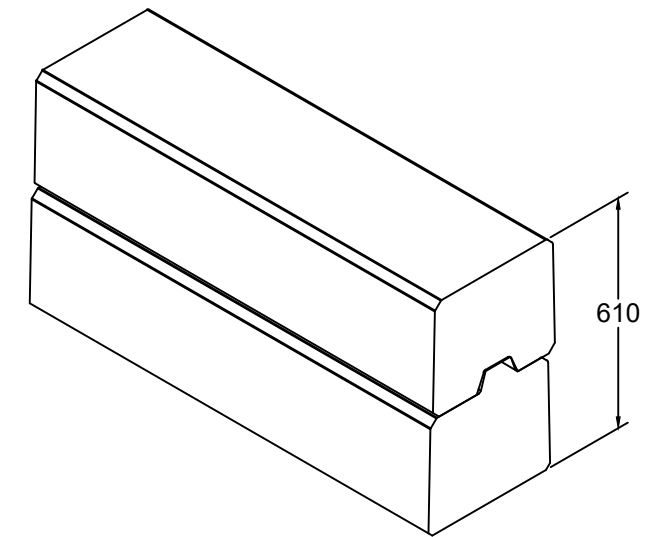


END VIEW

NOTES:

ALL DIMENSIONS IN MILLIMETER UNLESS OTHERWISE STATED.

NOT TO SCALE



ASSEMBLED VIEW

SPECIFICATIONS:
PRODUCT DESIGNED IN ACCORDANCE WITH CSA A23.3

PRODUCTION:
IN ACCORDANCE WITH CSA A23.4

CONCRETE:
IN ACCORDANCE WITH CSA A23.1
EXPOSURE CLASS: C1, 28 DAY COMP. STRENGTH: 35MPA, AIR ENTRAINMENT 5-8%

REINFORCING:
IN ACCORDANCE WITH CSA G30.18
GRADE 400W CLEAR COVER = 65 ±10

MINI PLATFORM CURB

DRAWN BY:

JS

DATE:

AUG 2023



1645 SYDENHAM RD.
KINGSTON, ON

PHONE:
(800) 223-0012
1-613-546-6683

WWW.ANCHORCONCRETE.COM