

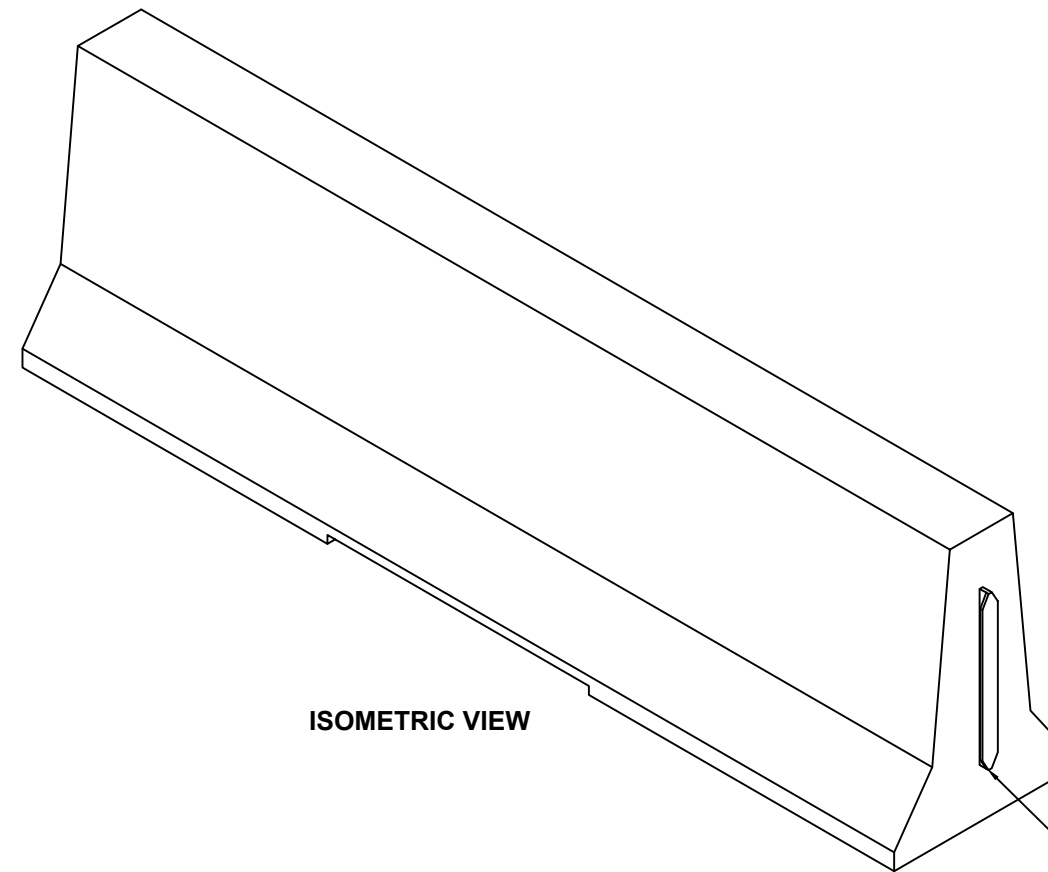
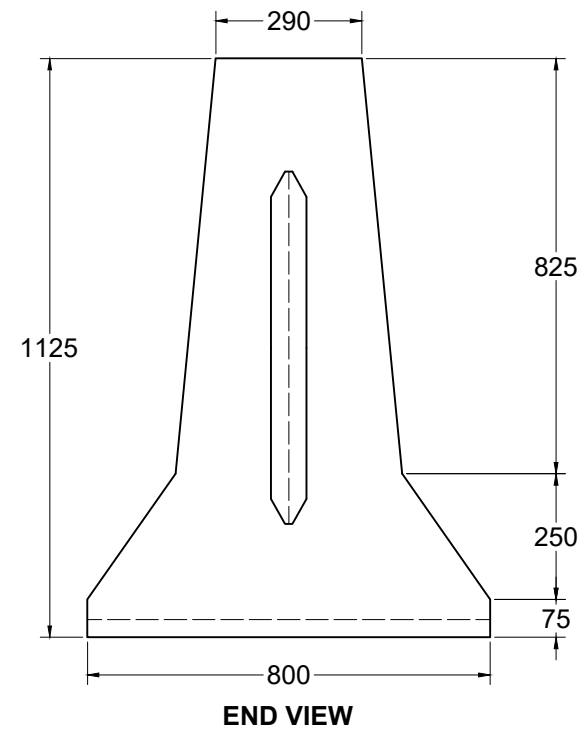
NOTES:

ALL DIMENSIONS IN MILLIMETERS UNLESS OTHERWISE STATED.

NOT TO SCALE

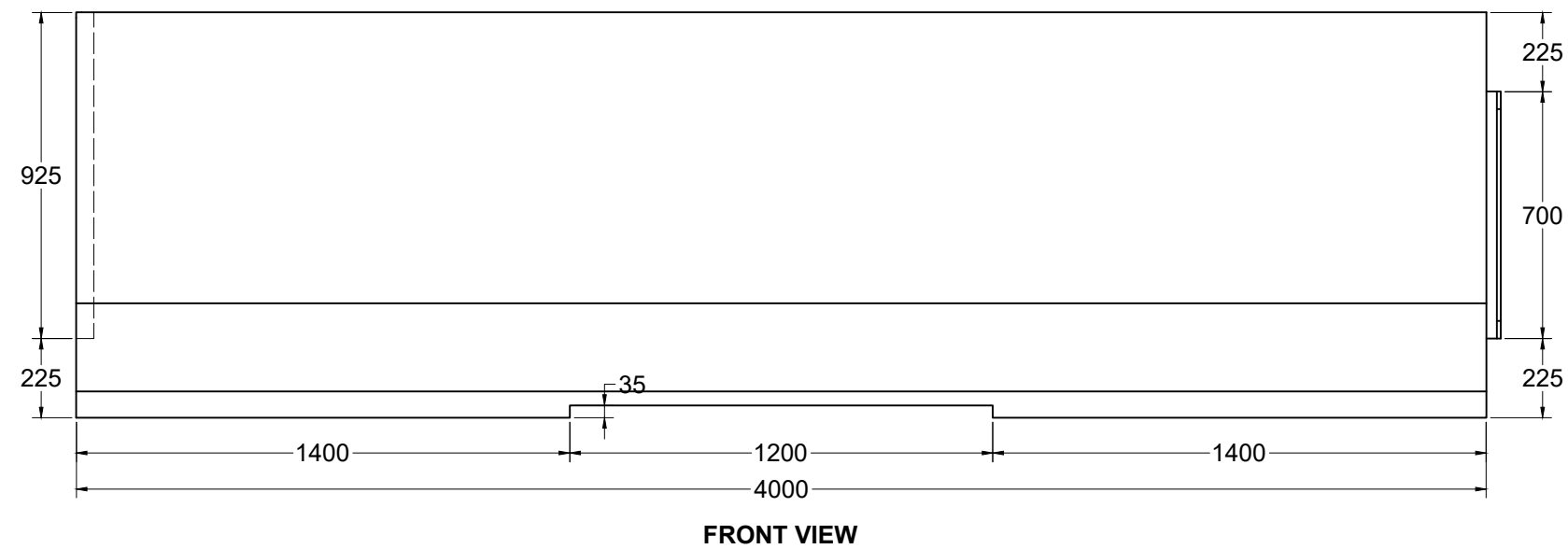
WEIGHT: 5.2 TONNES

INSTALLATION BY OTHERS



ISOMETRIC VIEW

GALVANIZED I-LOCK CONNECTION HARDWARE



SPECIFICATIONS:
PRODUCT IN ACCORDANCE WITH OPSD 911.143

PRODUCTION:
IN ACCORDANCE WITH CSA A23.4

CONCRETE:
IN ACCORDANCE WITH CSA A23.1
28 DAY COMP. STRENGTH: 35MPA, AIR ENTRAINMENT 5-8%

REINFORCING:
IN ACCORDANCE WITH WITH CSA G30.18
GRADE 400W

TALL WALL TRAFFIC BARRIER

w/ I-LOCK

(OPSD 911.143)

DRAWN BY:

JS

DATE:

AUG 2023



1645 SYDENHAM RD.
KINGSTON, ON

PHONE:
(800) 223-0012
1-613-546-6683

WWW.ANCHORCONCRETE.COM